

# DEWALT®



**Instruction Manual  
Guide D'utilisation  
Manual de instrucciones**

**DCS690**

**9" (230 mm) Cut Off Saw**

**Scie à Béton de 230 mm (9 po)**

**Sierra de corte de 230 mm (9")**

**[www.DEWALT.com](http://www.DEWALT.com)**

**If you have questions or comments, contact us.  
Pour toute question ou tout commentaire, nous contacter.  
Si tiene dudas o comentarios, contáctenos.**

**1-800-4-DEWALT**

**ENGLISH**

---

English (***original instructions***) 1

---

Français (*traduction de la notice d'instructions originale*) 17

---

Español (*traducido de las instrucciones originales*) 35

---

## Definitions: Safety Alert Symbols and Words

This instruction manual uses the following safety alert symbols and words to alert you to hazardous situations and your risk of personal injury or property damage.



**DANGER:** Indicates an imminently hazardous situation which, if not avoided, **will** result in **death or serious injury**.



**WARNING:** Indicates a potentially hazardous situation which, if not avoided, **could** result in **death or serious injury**.



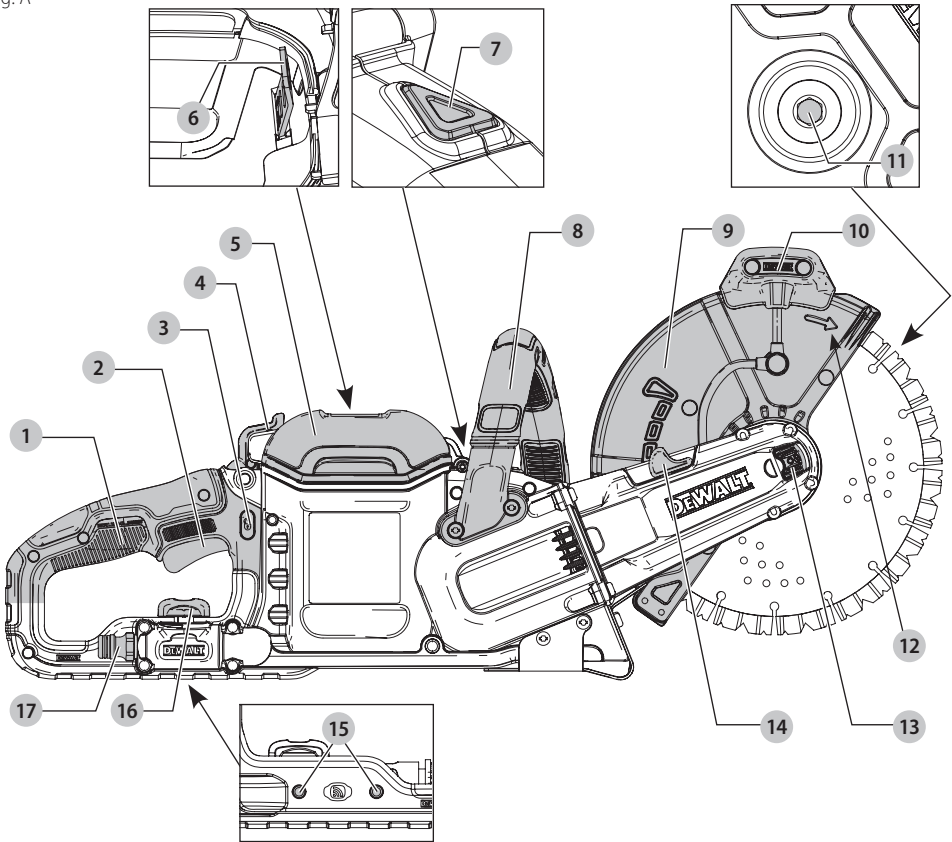
**CAUTION:** Indicates a potentially hazardous situation which, if not avoided, **may** result in **minor or moderate injury**.



(Used without word) Indicates a safety related message.

**NOTICE:** Indicates a practice **not related to personal injury** which, if not avoided, **may** result in **property damage**.

Fig. A



- |                                   |                                 |
|-----------------------------------|---------------------------------|
| 1 Rear handle                     | 10 Guard rotation handle        |
| 2 Trigger switch                  | 11 Arbor screw                  |
| 3 Lock-off button                 | 12 Blade rotation indicator     |
| 4 Battery door latch              | 13 Spindle lock button          |
| 5 Battery door                    | 14 Guard rotation release lever |
| 6 1/2" (13 mm) wrench and storage | 15 Tool tag mounting holes      |
| 7 Heavy load indicator LED        | 16 Water valve                  |
| 8 Front handle                    | 17 Water inlet                  |
| 9 Guard                           |                                 |



**WARNING!** Read all safety warnings and all instructions. Failure to follow the warnings and instructions may result in electric shock, fire and/or serious injury.



**WARNING:** To reduce the risk of injury, read the instruction manual.

If you have any questions or comments about this or any DEWALT tool, call us toll free at: 1-800-4-DEWALT (1-800-433-9258).

## GENERAL POWER TOOL SAFETY WARNINGS



**WARNING! Read all safety warnings and all instructions.** Failure to follow the warnings and instructions may result in electric shock, fire and/or serious injury.

### SAVE ALL WARNINGS AND INSTRUCTIONS FOR FUTURE REFERENCE

The term “power tool” in the warnings refers to your mains-operated (corded) power tool or battery-operated (cordless) power tool.

#### 1) Work Area Safety

- a) **Keep work area clean and well lit.** Cluttered or dark areas invite accidents.
- b) **Do not operate power tools in explosive atmospheres, such as in the presence of flammable liquids, gases or dust.** Power tools create sparks which may ignite the dust or fumes.
- c) **Keep children and bystanders away while operating a power tool.** Distractions can cause you to lose control.

#### 2) Electrical Safety

- a) **Power tool plugs must match the outlet. Never modify the plug in any way. Do not use any adapter plugs with earthed (grounded) power tools.** Unmodified plugs and matching outlets will reduce risk of electric shock.
- b) **Avoid body contact with earthed or grounded surfaces such as pipes, radiators, ranges and refrigerators.** There is an increased risk of electric shock if your body is earthed or grounded.
- c) **Do not expose power tools to rain or wet conditions.** Water entering a power tool will increase the risk of electric shock.
- d) **Do not abuse the cord. Never use the cord for carrying, pulling or unplugging the power tool. Keep cord away from heat, oil, sharp edges or moving parts.** Damaged or entangled cords increase the risk of electric shock.
- e) **When operating a power tool outdoors, use an extension cord suitable for outdoor use.** Use of a cord suitable for outdoor use reduces the risk of electric shock.
- f) **If operating a power tool in a damp location is unavoidable, use a ground fault circuit interrupter (GFCI) protected supply.** Use of a GFCI reduces the risk of electric shock.

#### 3) Personal Safety

- a) **Stay alert, watch what you are doing and use common sense when operating a power tool. Do not use a power tool while you are tired or under the influence of drugs, alcohol or medication.** A moment of inattention while operating power tools may result in serious personal injury.

- b) **Use personal protective equipment. Always wear eye protection.** Protective equipment such as dust mask, non-skid safety shoes, hard hat, or hearing protection used for appropriate conditions will reduce personal injuries.
- c) **Prevent unintentional starting. Ensure the switch is in the off position before connecting to power source and/or battery pack, picking up or carrying the tool.** Carrying power tools with your finger on the switch or energizing power tools that have the switch on invites accidents.
- d) **Remove any adjusting key or wrench before turning the power tool on.** A wrench or a key left attached to a rotating part of the power tool may result in personal injury.
- e) **Do not overreach. Keep proper footing and balance at all times.** This enables better control of the power tool in unexpected situations.
- f) **Dress properly. Do not wear loose clothing or jewelry. Keep your hair, clothing and gloves away from moving parts.** Loose clothes, jewelry or long hair can be caught in moving parts.
- g) **If devices are provided for the connection of dust extraction and collection facilities, ensure these are connected and properly used.** Use of dust collection can reduce dust-related hazards.

#### 4) Power Tool Use and Care

- a) **Do not force the power tool. Use the correct power tool for your application.** The correct power tool will do the job better and safer at the rate for which it was designed.
- b) **Do not use the power tool if the switch does not turn it on and off.** Any power tool that cannot be controlled with the switch is dangerous and must be repaired.
- c) **Disconnect the plug from the power source and/or the battery pack from the power tool before making any adjustments, changing accessories, or storing power tools.** Such preventive safety measures reduce the risk of starting the power tool accidentally.
- d) **Store idle power tools out of the reach of children and do not allow persons unfamiliar with the power tool or these instructions to operate the power tool.** Power tools are dangerous in the hands of untrained users.
- e) **Maintain power tools. Check for misalignment or binding of moving parts, breakage of parts and any other condition that may affect the power tool's operation. If damaged, have the power tool repaired before use.** Many accidents are caused by poorly maintained power tools.
- f) **Keep cutting tools sharp and clean.** Properly maintained cutting tools with sharp cutting edges are less likely to bind and are easier to control.
- g) **Use the power tool, accessories and tool bits, etc. in accordance with these instructions, taking**

*into account the working conditions and the work to be performed. Use of the power tool for operations different from those intended could result in a hazardous situation.*

## 5) Battery Tool Use and Care

- a) **Recharge only with the charger specified by the manufacturer.** A charger that is suitable for one type of battery pack may create a risk of fire when used with another battery pack.
- b) **Use power tools only with specifically designated battery packs.** Use of any other battery packs may create a risk of injury and fire.
- c) **When battery pack is not in use, keep it away from other metal objects, like paper clips, coins, keys, nails, screws, or other small metal objects, that can make a connection from one terminal to another.** Shorting the battery terminals together may cause burns or a fire.
- d) **Under abusive conditions, liquid may be ejected from the battery; avoid contact. If contact accidentally occurs, flush with water. If liquid contacts eyes, additionally seek medical help.** Liquid ejected from the battery may cause irritation or burns.

## 6) Service

- a) **Have your power tool serviced by a qualified repair person using only identical replacement parts.** This will ensure that the safety of the power tool is maintained.

## Additional Specific Safety Instructions for Cut-Off Machines

- a) **The guard provided with the tool must be securely attached to the power tool and positioned for maximum safety, so the least amount of wheel is exposed towards the operator. Position yourself and bystanders away from the plane of the rotating wheel.** The guard helps to protect operator from broken wheel fragments and accidental contact with wheel.
- b) **Use only bonded reinforced wheels or diamond blades for your power tool.** Just because an accessory can be attached to your power tool, it does not assure safe operation.
- c) **The rated speed of the accessory must be at least equal to the maximum speed marked on the power tool.** Accessories running faster than their rated speed can break and fly apart.
- d) **Wheels must be used only for recommended applications. For example: do not grind with the side of cut-off wheel.** Abrasive cut-off wheels are intended for peripheral grinding, side forces applied to these wheels may cause them to shatter.
- e) **Always use undamaged wheel flanges that are of correct diameter for your selected wheel.** Proper wheel flanges support the wheel thus reducing the possibility of wheel breakage.
- f) **Do not use worn down reinforced wheels from larger power tools.** Wheels intended for a larger power tool are not suitable for the higher speed of a smaller tool and may burst.
- g) **The outside diameter and the thickness of your accessory must be within the capacity rating of your power tool.** Incorrectly sized accessories cannot be adequately guarded or controlled.
- h) **The arbor size of wheels and flanges must properly fit the spindle of the power tool.** Wheels and flanges with arbor holes that do not match the mounting hardware of the power tool will run out of balance, vibrate excessively and may cause loss of control.
- i) **Do not use damaged wheels. Before each use, inspect the wheels for chips and cracks. If power tool or wheel is dropped, inspect for damage or install an undamaged wheel. After inspecting and installing the wheel, position yourself and bystanders away from the plane of the rotating wheel and run the power tool at maximum no load speed for one minute.** Damaged wheels will normally break apart during this test time.
- j) **Wear personal protective equipment. Depending on application, use face shield, safety goggles or safety glasses. As appropriate, wear dust mask, hearing protectors, gloves and shop apron capable of stopping small abrasive or workpiece fragments. The eye protection must be capable of stopping flying debris generated by various operations. The dust mask or respirator must be capable of filtering particles generated by your operation.** Prolonged exposure to high intensity noise may cause hearing loss.
- k) **Keep bystanders a safe distance away from work area. Anyone entering the work area must wear personal protective equipment.** Fragments of workpiece or of a broken wheel may fly away and cause injury beyond immediate area of operation.
- l) **Hold the power tool by insulated gripping surfaces only, when performing an operation where the cutting accessory may contact hidden wiring.** Cutting accessory contacting a "live" wire may make exposed metal parts of the power tool "live" and could give the operator an electric shock.
- m) **Never lay the power tool down until the accessory has come to a complete stop.** The spinning wheel may grab the surface and pull the power tool out of your control.
- n) **Do not run the power tool while carrying it at your side.** Accidental contact with the spinning accessory could snag your clothing, pulling the accessory into your body.
- o) **Regularly clean the power tool's air vents.** The motor's fan will draw the dust inside the housing and excessive accumulation of powdered metal may cause electrical hazards.

## ENGLISH

- p) **Do not operate the power tool near flammable materials.** Sparks could ignite these materials.

### Kickback and Related Warnings

Kickback is a sudden reaction to a pinched or snagged rotating wheel. Pinching or snagging causes rapid stalling of the rotating wheel which in turn causes the uncontrolled power tool to be forced in the direction opposite of the wheel's rotation at the point of the binding.

For example, if an abrasive wheel is snagged or pinched by the workpiece, the edge of the wheel that is entering into the pinch point can dig into the surface of the material causing the wheel to climb out or kick out. The wheel may either jump toward or away from the operator, depending on direction of the wheel's movement at the point of pinching. Abrasive wheels may also break under these conditions.

Kickback is the result of power tool misuse and/or incorrect operating procedures or conditions and can be avoided by taking proper precautions as given below.

- a) **Maintain a firm grip on the power tool and position your body and arm to allow you to resist kickback forces. Always hold front and rear handle for maximum control over kickback or torque reaction during start-up.** The operator can control torque reactions or kickback forces, if proper precautions are taken.
- b) **Never place your hand near the rotating accessory.** Accessory may kickback over your hand.
- c) **Do not position your body in line with the rotating wheel.** Kickback will propel the tool in direction opposite to the wheel's movement at the point of snagging.
- d) **Use special care when working corners, sharp edges etc. Avoid bouncing and snagging the accessory.** Corners, sharp edges or bouncing have a tendency to snag the rotating accessory and cause loss of control or kickback.
- e) **Do not attach a saw chain, woodcarving blade or toothed saw blade on the saw.** Such blades cause frequent kickback and loss of control.
- f) **Do not use a segmented wheel with a peripheral gap greater than 3/8" (10 mm).**
- g) **Do not "jam" the wheel or apply excessive pressure. Do not attempt to make an excessive depth of cut.** Overstressing the wheel increases the loading and susceptibility to twisting or binding of the wheel in the cut and the possibility of kickback or wheel breakage.
- h) **When wheel is binding or when interrupting a cut for any reason, switch off the power tool and hold the power tool motionless until the wheel comes to a complete stop. Never attempt to remove the wheel from the cut while the wheel is in motion otherwise kickback may occur.** Investigate and take corrective action to eliminate the cause of wheel binding.
- i) **Do not restart the cutting operation in the workpiece. Let the wheel reach full speed and carefully re-enter the cut.** The wheel may bind, walk up or kickback if the power tool is restarted in the workpiece.
- j) **Support panels or any oversized workpiece to minimize the risk of wheel pinching and kickback. Large workpieces tend to sag under their own weight.** Supports must be placed under the workpiece near the line of cut and near the edge of the workpiece on both sides of the wheel.
- k) **Use extra caution when making a "pocket cut" into existing walls or other blind areas.** The protruding wheel may cut gas or water pipes, electrical wiring or objects that can cause kickback.

### Additional Safety Information

- **Use of accessories not specified in this manual is not recommended and may be hazardous.** Use of power boosters that would cause the tool to be driven at speeds greater than its rated speed constitutes misuse.
- **Do not use circular saw blades with this tool.** Serious injury may result.
- **Avoid bouncing the wheel or giving it rough treatment.** If this occurs, stop the tool and inspect the wheel for cracks or flaws.
- **Direct sparks away from operator, bystanders or flammable materials.** Sparks may be produced while using a cut-off tool. Sparks may cause burns or start fires.
- **Always use front handle. Make sure the front handle is securely tightened before use.** The front handle should always be used to maintain control of the tool at all times.
- **Never cut into area that may contain electrical wiring or piping.** Serious injury may result.
- **Clean out your tool often, especially after heavy use.** Dust and grit containing metal particles often accumulate on interior surfaces and could create an electric shock hazard.
- **Do not operate this tool for long periods of time. Vibration caused by tool action may be harmful to your hands and arms.** Use gloves to provide extra cushion and limit exposure by taking frequent rest periods.
- **Never use the weight of the tool to stop blade rotation.**
- **Never leave your cut-off machine unattended if it is in operating mode.** When your cut-off machine is not in use, remove the battery pack, make sure the trigger switch is in the OFF position and lock-off button is engaged.
- **Always wear sturdy boots with non-slip soles and heavy-duty work gloves when operating your cut-off machine.** Heavy-duty gloves improve your grip and protect your hands.
- **Always use NIOSH/OSHA approved respiratory protection when wet cutting below the recommended flow rate.**
- **Consult and follow any federal, state or local laws or regulations with respect to dry and wet cutting.**

- **Never touch the rotating wheel with any part of your body.**
- **When transporting the machine always make sure the lock-off button is in the locked position.**
- **Remove the cutting wheel after use.** The cutting wheel may suffer damage during transport.
- **Never use a cutting wheel that is damaged, is untrue or vibrates.**
- **Never use your cut-off machine while standing on a ladder or scaffolding.**
- **Never cut above your shoulder height.**
- **Do not cut wood or any material from which the cutting wheel is not rated.**
- **Use the wet cut method when using a diamond blade whenever possible.** The water can act as a lubricant and reduce the risk reactive forces.
- **Use caution when reentering a cut.** Do not push the cutting wheel into the cut at an angle as this can increase the risk on binding.
- **Always be alert of anything that could cause the workpiece to close at the cut and pinch the cutting wheel.** Always support the workpiece in a manner that results in the cut remaining open. Never make a cut that could result in binding of the cutting wheel.

**WARNING: ALWAYS** use safety glasses. Everyday eyeglasses are NOT safety glasses. Also use face or dust mask if cutting operation is dusty. ALWAYS WEAR CERTIFIED SAFETY EQUIPMENT:

- ANSI Z87.1 eye protection (CAN/CSA Z94.3),
- ANSI S12.6 (S3.19) hearing protection,
- NIOSH/OSHA/MSHA respiratory protection.

**WARNING:** Some dust created by power sanding, sawing, grinding, drilling, and other construction activities contains chemicals known to the State of California to cause cancer, birth defects or other reproductive harm. Some examples of these chemicals are:

- lead from lead-based paints,
- crystalline silica from bricks and cement and other masonry products, and
- arsenic and chromium from chemically-treated lumber.

Your risk from these exposures varies, depending on how often you do this type of work. To reduce your exposure to these chemicals: work in a well ventilated area, and work with approved safety equipment, such as those dust masks that are specially designed to filter out microscopic particles.

- **Avoid prolonged contact with dust from power sanding, sawing, grinding, drilling, and other construction activities. Wear protective clothing and wash exposed areas with soap and water.** Allowing dust to get into your mouth, eyes, or lay on the skin may promote absorption of harmful chemicals.

**WARNING:** Use of this tool can generate and/or disperse dust, which may cause serious and permanent respiratory or other injury. Always use NIOSH/OSHA approved respiratory protection



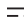









appropriate for the dust exposure. Direct particles away from face and body.

**WARNING:** Always wear proper personal hearing protection that conforms to ANSI S12.6 (S3.19) during use. Under some conditions and duration of use, noise from this product may contribute to hearing loss.

**CAUTION:** When not in use, place tool on its side on a stable surface where it will not cause a tripping or falling hazard. Some tools with large battery packs will stand upright on the battery pack but may be easily knocked over.

- **Air vents often cover moving parts and should be avoided.** Loose clothes, jewelry or long hair can be caught in moving parts.

The label on your tool may include the following symbols. The symbols and their definitions are as follows:

V .....	volts		or AC/DC.....	alternating or direct current
Hz .....	hertz			
min .....	minutes		.....	Class II Construction (double insulated)
 or DC.....	direct current			
 .....	Class I Construction (grounded)	$n_0$ .....		no load speed
.../min.....	per minute	$n$ .....		rated speed
BPM .....	beats per minute		.....	earthing terminal
IPM .....	impacts per minute		.....	safety alert symbol
RPM .....	revolutions per minute		.....	visible radiation
sfpm .....	surface feet per minute		.....	wear respiratory protection
SPM .....	strokes per minute		.....	wear eye protection
A .....	amperes		.....	wear hearing protection
W .....	watts		.....	read all documentation
 or AC.....	alternating current			

## BATTERIES AND CHARGERS

The battery pack is not fully charged out of the carton. Before using the battery pack and charger, read the safety instructions below and then follow charging procedures outlined. When ordering replacement battery packs, be sure to include the catalog number and voltage. Your tool uses a DeWALT charger. Be sure to read all safety instructions before using your charger. Consult the chart at the end of this manual for compatibility of chargers and battery packs.

### READ ALL INSTRUCTIONS

## Important Safety Instructions for All Battery Packs

**WARNING:** Read all safety warnings and all instructions for the battery pack, charger and power tool. Failure to follow the warnings and instructions may result in electric shock, fire and/or serious injury.

## ENGLISH

- **Do not charge or use the battery pack in explosive atmospheres, such as in the presence of flammable liquids, gases or dust.** Inserting or removing the battery pack from the charger may ignite the dust or fumes.
- **NEVER force the battery pack into the charger. DO NOT modify the battery pack in any way to fit into a non-compatible charger as battery pack may rupture causing serious personal injury.** Consult the chart at the end of this manual for compatibility of batteries and chargers.
- Charge the battery packs only in designated DEWALT chargers.
- **DO NOT splash or immerse in water or other liquids.**
- **Do not store or use the tool and battery pack in locations where the temperature may reach or exceed 104 °F (40 °C) (such as outside sheds or metal buildings in summer).** For best life store battery packs in a cool, dry location.  
**NOTE: Do not store the battery packs in a tool with the trigger switch locked on. Never tape the trigger switch in the ON position.**
- **Do not incinerate the battery pack even if it is severely damaged or is completely worn out.** The battery pack can explode in a fire. Toxic fumes and materials are created when lithium ion battery packs are burned.
- **If battery contents come into contact with the skin, immediately wash area with mild soap and water.** If battery liquid gets into the eye, rinse water over the open eye for 15 minutes or until irritation ceases. If medical attention is needed, the battery electrolyte is composed of a mixture of liquid organic carbonates and lithium salts.
- **Contents of opened battery cells may cause respiratory irritation.** Provide fresh air. If symptoms persist, seek medical attention.



**WARNING:** Burn hazard. Battery liquid may be flammable if exposed to spark or flame.



**WARNING:** Fire hazard. Never attempt to open the battery pack for any reason. If the battery pack case is cracked or damaged, do not insert into the charger. Do not crush, drop or damage the battery pack. Do not use a battery pack or charger that has received a sharp blow, been dropped, run over or damaged in any way (e.g., pierced with a nail, hit with a hammer, stepped on). Damaged battery packs should be returned to the service center for recycling.

## Transportation



**WARNING: Fire hazard. Do not store or carry the battery pack so that metal objects can contact exposed battery terminals.** For example, do not place the battery pack in aprons, pockets, tool boxes, product kit boxes, drawers, etc., with loose nails, screws, keys, etc. **Transporting batteries can possibly cause fires if the battery terminals inadvertently come in contact with conductive materials such as keys, coins, hand tools and the like.** The US Department of Transportation Hazardous Material Regulations (HMR) actually prohibit

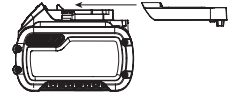
transporting batteries in commerce or on airplanes in carry-on baggage UNLESS they are properly protected from short circuits. So when transporting individual battery packs, make sure that the battery terminals are protected and well insulated from materials that could contact them and cause a short circuit.

## Shipping the DeWALT FLEXVOLT™ Battery

The DeWALT FLEXVOLT™ battery has two modes: **Use** and **Shipping**.

**Use Mode:** When the FLEXVOLT™ battery stands alone or is in a DeWALT 20V Max\* product, it will operate as a 20V Max\* battery. When the FLEXVOLT™ battery is in a 60V Max\* or a 120V Max\* (two 60V Max\* batteries) product, it will operate as a 60V Max\* battery.

**Shipping Mode:** When the cap is attached to the FLEXVOLT™ battery, the battery is in Shipping Mode. Strings of cells are electrically



disconnected within the pack resulting in three batteries with a lower Watt hour (Wh) rating as compared to one battery with a higher Watt hour rating. This increased quantity of three batteries with the lower Watt hour rating can exempt the pack from certain shipping regulations that are imposed upon the higher Watt hour batteries.

The battery label indicates two Watt hour ratings (see example). Depending on how the battery is shipped, the appropriate Watt hour rating must be used to determine the applicable shipping requirements. If utilizing the shipping cap, the pack will be considered 3 batteries at the Watt hour rating indicated for "Shipping". If shipping without the cap or in a tool, the pack will be considered one battery at the Watt hour rating indicated next to "Use".

Example of Use and Shipping Label Marking

**USE: 120 Wh Shipping: 3 x 40 Wh**

For example, Shipping Wh rating might indicate 3 x 40 Wh, meaning 3 batteries of 40 Watt hours each. The Use Wh rating might indicate 120 Wh (1 battery implied).

## Fuel Gauge Battery Packs (Fig. B)

Some DeWALT battery packs include a fuel gauge which consists of three green LED lights that indicate the level of charge remaining in the battery pack.

The fuel gauge is an indication of approximate levels of charge remaining in the battery pack according to the following indicators:

 75–100% charged

 51–74% charged

 < 50% charged

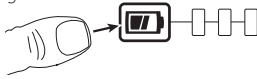
 Pack needs to be charged

To actuate the fuel gauge, press and hold the fuel gauge button. A combination of the three green LED lights will illuminate designating the level of charge left. When the



level of charge in the battery is below the usable limit, the fuel gauge will not illuminate and the battery will need to be recharged.

Fig. B



**NOTE:** The fuel gauge is only an indication of the charge left on the battery pack. It does not indicate tool functionality and is subject to variation based on product components, temperature and end-user application.

For more information regarding fuel gauge battery packs, please contact call 1-800-4-DEWALT (1-800-433-9258) or visit our website [www.dewalt.com](http://www.dewalt.com).

## The RBRC® Seal

The RBRC® (Rechargeable Battery Recycling Corporation) Seal on the nickel cadmium, nickel metal hydride or lithium-ion batteries (or battery packs) indicates that the costs to recycle these batteries (or battery packs) at the end of their useful life have already been paid by DEWALT. In some areas, it is illegal to place spent nickel cadmium, nickel metal hydride or lithium-ion batteries in the trash or municipal solid waste stream and the Call 2 Recycle® program provides an environmentally conscious alternative.



Call 2 Recycle, Inc., in cooperation with DEWALT and other battery users, has established the program in the United States and Canada to facilitate the collection of spent nickel cadmium, nickel metal hydride or lithium-ion batteries. Help protect our environment and conserve natural resources by returning the spent nickel cadmium, nickel metal hydride or lithium-ion batteries to an authorized DEWALT service center or to your local retailer for recycling. You may also contact your local recycling center for information on where to drop off the spent battery. RBRC® is a registered trademark of Call 2 Recycle, Inc.

## Important Safety Instructions for All Battery Chargers

**⚠ WARNING:** Read all safety warnings and all instructions for the battery pack, charger and power tool. Failure to follow the warnings and instructions may result in electric shock, fire and/or serious injury.

- **DO NOT attempt to charge the battery pack with any chargers other than the ones in this manual.** The charger and battery pack are specifically designed to work together.
- **These chargers are not intended for any uses other than charging DEWALT rechargeable batteries.** Any other uses may result in risk of fire, electric shock or electrocution.
- **Do not expose the charger to rain or snow.**
- **Pull by the plug rather than the cord when disconnecting the charger.** This will reduce the risk of damage to the electric plug and cord.

- **Make sure that the cord is located so that it will not be stepped on, tripped over or otherwise subjected to damage or stress.**
- **Do not use an extension cord unless it is absolutely necessary.** Use of improper extension cord could result in risk of fire, electric shock or electrocution.
- **When operating a charger outdoors, always provide a dry location and use an extension cord suitable for outdoor use.** Use of a cord suitable for outdoor use reduces the risk of electric shock.
- **An extension cord must have adequate wire size (AWG or American Wire Gauge) for safety.** The smaller the gauge number of the wire, the greater the capacity of the cable, that is, 16 gauge has more capacity than 18 gauge. An undersized cord will cause a drop in line voltage resulting in loss of power and overheating. When using more than one extension to make up the total length, be sure each individual extension contains at least the minimum wire size. The following table shows the correct size to use depending on cord length and nameplate ampere rating. If in doubt, use the next heavier gauge. The lower the gauge number, the heavier the cord.

Minimum Gauge for Cord Sets

Volts	Total Length of Cord in Feet (meters)				
	120 V	25 (7.6)	50 (15.2)	100 (30.5)	150 (45.7)
240 V	50 (15.2)	100 (30.5)	200 (61.0)	300 (91.4)	
Ampere Rating		American Wire Gauge			
More Than	Not More Than				
0	6	18	16	16	14
6	10	18	16	14	12
10	12	16	16	14	12
12	16	14	12	Not Recommended	

- **Do not place any object on top of the charger or place the charger on a soft surface that might block the ventilation slots and result in excessive internal heat.** Place the charger in a position away from any heat source. The charger is ventilated through slots in the top and the bottom of the housing.
- **Do not operate the charger with a damaged cord or plug.**
- **Do not operate the charger if it has received a sharp blow, been dropped or otherwise damaged in any way.** Take it to an authorized service center.
- **Do not disassemble the charger; take it to an authorized service center when service or repair is required.** Incorrect reassembly may result in a risk of electric shock, electrocution or fire.
- **Disconnect the charger from the outlet before attempting any cleaning. This will reduce the risk of electric shock.** Removing the battery pack will not reduce this risk.
- **NEVER attempt to connect 2 chargers together.**
- **The charger is designed to operate on standard 120V household electrical power. Do not attempt to**

## ENGLISH

*use it on any other voltage. This does not apply to the vehicular charger.*

**WARNING:** Shock hazard. Do not allow any liquid to get inside the charger. Electric shock may result.

**WARNING:** Burn hazard. Do not submerge the battery pack in any liquid or allow any liquid to enter the battery pack. Never attempt to open the battery pack for any reason. If the plastic housing of the battery pack breaks or cracks, return to a service center for recycling.

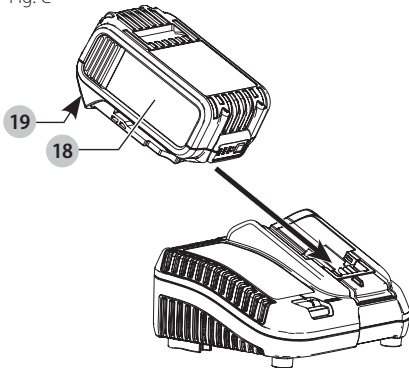
**CAUTION:** Burn hazard. To reduce the risk of injury, charge only DEWALT rechargeable battery packs. Other types of batteries may overheat and burst resulting in personal injury and property damage.

**NOTICE:** Under certain conditions, with the charger plugged into the power supply, the charger can be shorted by foreign material. Foreign materials of a conductive nature, such as, but not limited to, grinding dust, metal chips, steel wool, aluminum foil or any buildup of metallic particles should be kept away from the charger cavities. Always unplug the charger from the power supply when there is no battery pack in the cavity. Unplug the charger before attempting to clean.

## Charging a Battery (Fig. C)

1. Plug the charger into an appropriate outlet before inserting battery pack.

Fig. C



2. Insert the battery pack **18** into the charger, making sure the battery pack is fully seated in the charger. The red (charging) light will blink continuously indicating that the charging process has started.
3. The completion of charge will be indicated by the red light remaining ON continuously. The battery pack is fully charged and may be used at this time or left in the charger. To remove the battery pack from the charger, push the battery release button **19** on the battery pack.

**NOTE:** To ensure maximum performance and life of lithium-ion battery packs, charge the battery pack fully before first use.

## Charger Operation

Refer to the indicators below for the charge status of the battery pack.

DCB107, DCB112, DCB113, DCB115, DCB118, DCB132

 Charging	
 Fully Charged	
 Hot/Cold Pack Delay*	

**\*DCB107, DCB112, DCB113, DCB115, DCB118, DCB132:**

The red light will continue to blink, but a yellow indicator light will be illuminated during this operation. Once the battery pack has reached an appropriate temperature, the yellow light will turn off and the charger will resume the charging procedure.

The compatible charger(s) will not charge a faulty battery pack. The charger will indicate faulty battery pack by refusing to light or by displaying a problem pack or charger blink pattern.

**NOTE:** This could also mean a problem with a charger.

If the charger indicates a problem, take the charger and battery pack to be tested at an authorized service center.

### Hot/Cold Pack Delay

When the charger detects a battery pack that is too hot or too cold, it automatically starts a Hot/Cold Pack Delay, suspending charging until the battery pack has reached an appropriate temperature. The charger then automatically switches to the pack charging mode. This feature ensures maximum battery pack life.

A cold battery pack will charge at a slower rate than a warm battery pack. The battery pack will charge at that slower rate throughout the entire charging cycle and will not return to maximum charge rate even if the battery pack warms.

The DCB118 charger is equipped with an internal fan designed to cool the battery pack. The fan will turn on automatically when the battery pack needs to be cooled.

Never operate the charger if the fan does not operate properly or if ventilation slots are blocked. Do not permit foreign objects to enter the interior of the charger.

### Electronic Protection System

Li-Ion tools are designed with an Electronic Protection System that will protect the battery pack against overloading, overheating or deep discharge.

The tool will automatically turn off if the Electronic Protection System engages. If this occurs, place the lithium-ion battery pack on the charger until it is fully charged.

## Wall Mounting

DCB107, DCB112, DCB113, DCB115, DCB118, DCB132

These chargers are designed to be wall mountable or to sit upright on a table or work surface. If wall mounting, locate the charger within reach of an electrical outlet, and away from a corner or other obstructions which may impede air flow. Use the back of the charger as a template for the location of the mounting screws on the wall. Mount the charger securely using drywall screws (purchased

separately) at least 1" (25.4 mm) long, with a screw head diameter of 0.28–0.35" (7–9 mm), screwed into wood to an optimal depth leaving approximately 7/32" (5.5 mm) of the screw exposed. Align the slots on the back of the charger with the exposed screws and fully engage them in the slots.

## Charger Cleaning Instructions



**WARNING:** Shock hazard. Disconnect the charger from the AC outlet before cleaning. Dirt and grease may be removed from the exterior of the charger using a cloth or soft non-metallic brush. Do not use water or any cleaning solutions.

## Important Charging Notes

- Longest life and best performance can be obtained if the battery pack is charged when the air temperature is between 65 °F and 75 °F (18 ° – 24 °C). DO NOT charge the battery pack in an air temperature below +40 °F (+4.5 °C), or above +104 °F (+40 °C). This is important and will prevent serious damage to the battery pack.
- The charger and battery pack may become warm to the touch while charging. This is a normal condition, and does not indicate a problem. To facilitate the cooling of the battery pack after use, avoid placing the charger or battery pack in a warm environment such as in a metal shed or an uninsulated trailer.
- If the battery pack does not charge properly:
  - Check operation of receptacle by plugging in a lamp or other appliance;
  - Check to see if receptacle is connected to a light switch which turns power off when you turn out the lights;
  - Move the charger and battery pack to a location where the surrounding air temperature is approximately 65 °F – 75 °F (18 ° – 24 °C);
  - If charging problems persist, take the tool, battery pack and charger to your local service center.
- The battery pack should be recharged when it fails to produce sufficient power on jobs which were easily done previously. DO NOT CONTINUE to use under these conditions. Follow the charging procedure. You may also charge a partially used pack whenever you desire with no adverse effect on the battery pack.
- Foreign materials of a conductive nature such as, but not limited to, grinding dust, metal chips, steel wool, aluminum foil, or any buildup of metallic particles should be kept away from charger cavities. Always unplug the charger from the power supply when there is no battery pack in the cavity. Unplug the charger before attempting to clean.
- Do not freeze or immerse the charger in water or any other liquid.

## Storage Recommendations

- The best storage place is one that is cool and dry, away from direct sunlight and excess heat or cold.

- For long storage, it is recommended to store a fully charged battery pack in a cool dry place out of the charger for optimal results.

**NOTE:** Battery packs should not be stored completely depleted of charge. The battery pack will need to be recharged before use.

## SAVE THESE INSTRUCTIONS FOR FUTURE USE

### COMPONENTS (FIG. A)



**WARNING:** Never modify the power tool or any part of it. Damage or personal injury could result.

Refer to Figure A at the beginning of this manual for a complete list of components.

### Intended Use

This cut off tool is designed for professional cutting applications.

**DO NOT** use under wet conditions or in presence of flammable liquids or gases.

This cut off tool is a professional power tool. **DO NOT** let children come into contact with the tool. Supervision is required when inexperienced operators use this tool.

### SPECIFICATIONS

DCS690	
Blade diameter	9" (230 mm)
Arbor size	7/8" (22.2 mm)
RPM	6600

### Lock-Off Button (Fig. A)

Your cut-off tool is equipped with a lock-off button **3**. To lock the trigger switch in the OFF position, push the lock-off button from the left side of the tool. To unlock the trigger switch, push the lock-off button from the right side of the tool.

### ASSEMBLY AND ADJUSTMENTS



**WARNING:** To reduce the risk of serious personal injury, turn unit off and remove the battery pack before making any adjustments or removing/ installing attachments or accessories. Make sure the trigger switch is in the OFF position. An accidental start-up can cause injury.

### Spindle Lock Button (Fig. A)

The spindle lock button **13** is used to lock the arbor screw **11** when changing accessories.

- To engage the spindle lock button, remove the battery pack and make sure trigger switch is in the OFF position and lock-off button is engaged.
- Depress the spindle lock button and turn the wheel and spindle until the lock button engages the spindle.
- Use supplied wrench **6** to unscrew the arbor screw **11** and remove or mount accessories. Spindle threads are right hand.

## Installing Abrasive and Diamond Wheels (Fig. A, D)

**WARNING:** Install only one blade.

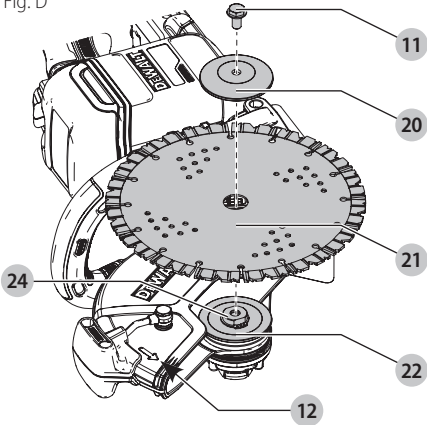
1. Lay unit on a firm surface, with the arbor screw **11** facing upward.
2. Using supplied 1/2" (13 mm) open end wrench **6** (located in the battery compartment), remove arbor screw **11**, outer clamp washer **20** and used wheel **21** if one is installed. Hold arbor screw **11** from turning with spindle lock button **13**. Spindle threads are right hand.
3. The inner clamp washer **22** is held in place with a double D shaft and retaining ring.
4. Slip wheel over spindle **24**. Slip on outer clamp washer. Start threading on arbor screw which will self align outer clamp washer.

**IMPORTANT:** Make sure the diamond blade is installed with the correct rotation, as marked on the blade rotation indicator **12**.

5. Engage spindle lock button and tighten screw firmly with wrench. Do not over-tighten arbor screw.
6. Turn wheel by hand to ensure it is properly centered. The wheel should not hit the shoe or guard. The screw and flanges should be tight.

**CAUTION:** Only use 9" (230 mm) Type 1/41 wheels with 7/8" (22.2 mm) arbor hole with this tool. Never force a wheel onto the machine or alter the size of the arbor hole.

Fig. D



## Replacing Worn Clamp Washers (Fig. D)

**WARNING:** Replace clamp washers as they wear. They may become sharp with extended use.

1. Remove the arbor screw **11**, outer clamp washer **20** and used wheel **21** if one is installed as described in *Installing Abrasive and Diamond Wheels*.
2. To remove the inner clamp washer **22**, first remove the retaining ring that holds the inner clamp washer to the double D shaft.
3. Remove the inner clamp washer and replace with a new one. Orient the inner clamp washer with the depressed

center section toward the blade. Make sure the new inner clamp washer is secure with the retaining ring in place.

4. Install the wheel **21**, new outer clamp washer **20**, and arbor screw **11** as described in *Installing Abrasive and Diamond Wheels*.

## Adjusting the Guard Angle (Fig. E)

**WARNING:** Do not use guard rotation handle to hold tool while cutting. Guard rotation handle is only used for adjustment of the guard while tool is not in use.

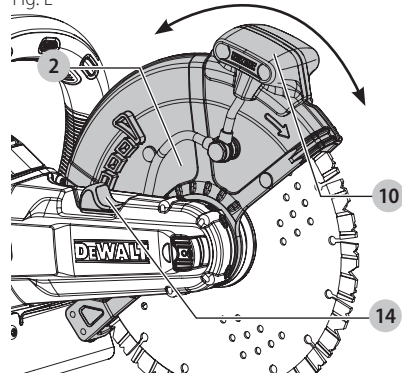
**CAUTION:** Guard may be hot. Use guard handle to rotate guard.

**WARNING:** Always make sure the guard is properly engaged before starting the machine.

You can adjust the angle of the guard.

1. To adjust the angle of the guard, pull back the guard rotation release lever **14** and hold it.
2. Grasp the guard **2** firmly by guard rotation handle **10** and rotate to desired angle.
3. Release the guard rotation release lever and make sure it engages, locking the guard in place. If the guard rotation release lever doesn't engage, rotate the guard slightly until the guard rotation release lever returns to the locked position.

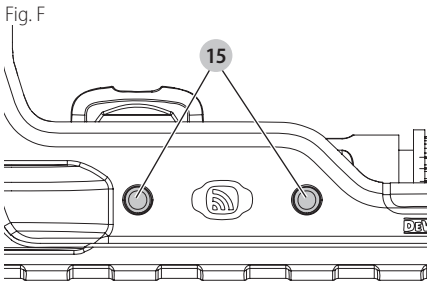
Fig. E



## DEWALT Tool Tag Ready (Fig. F)

### Optional Accessory

Your cut-off saw comes with mounting holes **15** and fasteners for installing a DEWALT Tool Tag. You will need a T15 bit tip to install the tag. The DEWALT Tool Tag is designed for tracking and locating professional power tools, equipment, and machines using the DEWALT Tool Connect™ app. For proper installation of the DEWALT Tool Tag refer to the DEWALT Tool Tag manual.



## OPERATION

- ⚠ WARNING:** To reduce the risk of serious personal injury, turn unit off and remove the battery pack before making any adjustments or removing/installing attachments or accessories. Make sure the trigger switch is in the OFF position. An accidental start-up can cause injury.

## Installing and Removing the Battery Pack (Fig. G)

**NOTE:** For best results, make sure your battery pack is fully charged. Use only DEWALT FLEXVOLT™ batteries with this cut-off machine.

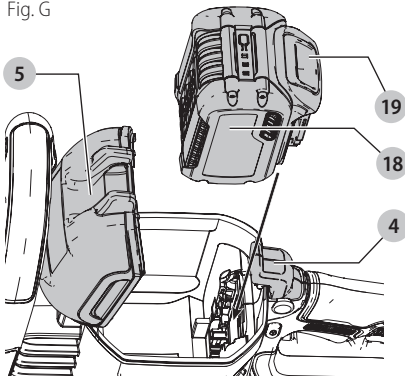
Unlock battery door **5** by moving battery door latch **4** towards the rear of the tool and open as shown in Figure G. To install the battery pack **18** into the tool, align the battery pack with the rails inside the tool and slide it in until the battery pack is firmly seated. Ensure that it does not disengage.

Close the battery door **5**, and push the battery door latch **4** forward towards the front of the tool to lock the battery door.

To remove the battery pack from the tool, unlatch and open the battery door. Then press the battery release button **19** and firmly pull the battery pack out of the tool. Insert it into the charger as described in **Charging a Battery**.

Do not leave the battery door open.

Fig. G

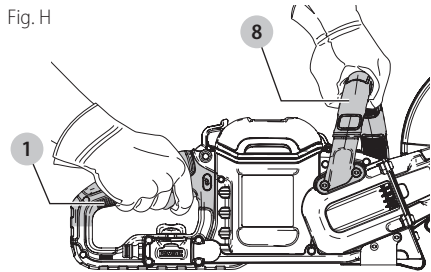


## Proper Hand Position (Fig. H)

- ⚠ WARNING:** To reduce the risk of serious personal injury, ALWAYS use proper hand position as shown.
- ⚠ WARNING:** To reduce the risk of serious personal injury, ALWAYS hold securely in anticipation of a sudden reaction.
- ⚠ WARNING:** Never use the cut-off machine with one hand. Always grip the cut-off machine firmly with both hands.
- ⚠ WARNING:** Make sure the handles and grips of your cut-off machine are secure and free of grease and/or moisture.

Proper hand position for both left- and right-handed users requires your right hand on the rear handle **1** and your left hand on the front handle **8**.

Fig. H



## Heavy Load Indicator LED (Fig. A)

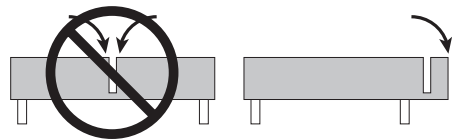
The heavy load indicator LED **7** will illuminate as a warning when the tool is being pushed too hard. Continuing to use the tool after the LED is lit could cause the tool to shut down or reduce run time.

## Reducing the Risk of Kickback (Fig. I)

- ⚠ WARNING:** Reactive forces may occur at any time the cutting wheel is in motion.
- ⚠ WARNING:** To reduce the risk of kickback, avoid cutting with the upper quadrant of the cutting wheel whenever possible. Be extremely mindful of binding or pinching of the cutting wheel in this area as it can cause severe reactive forces resulting in kickback.

- Always be alert to any potential movement that could cause the material being cut to close and pinch the cutting wheel.
- Proper support of the material will ensure the cut stays open during the cut. If you cannot properly support the material, do not use a cut-off machine to make your cut.

Fig. I



- Always support exposed pipe in the ground so that it is stable and is able to support weight. Use additional

## ENGLISH

support closer to the area to be cut to prevent the pipe from sagging and pinching the cutting wheel.

- Material that is under stress could shift when it is cut. Uneven pipe beds could exert stress.
- Always make sure the section of material being removed is also supported. After the first cut is made you may have to move supports or add additional support to ensure both sides of the material are evenly supported.
- Be aware of weakened work areas that could shift or slide causing your supports to move.

## Making Cuts with a Cut-Off Machine

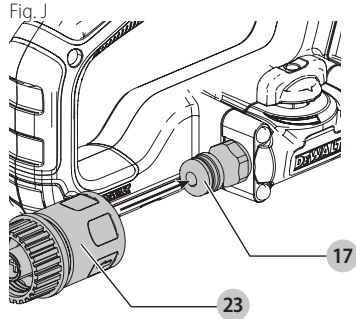
- ⚠ **CAUTION:** Before attempting to start, grasp tool firmly with both hands before lifting.
- ⚠ **WARNING:** Cut-off saw not intended for surface grinding or other applications where side loading of the blade is encountered.
- ⚠ **WARNING:** Edge cutting can be performed only with wheels that are designed and specified for this purpose. Protect yourself during edge cutting by directing the open side of the guard away from you, the operator.
- ⚠ **WARNING:** Wheels used for cutting may break or kick back if they bend or twist while the tool is being used to do cut-off work.
- ⚠ **WARNING:** Always be alert for gyroscopic forces that can be generated by a rapidly spinning cutting wheel. Moving the cut-off machine sideways can create a gyroscopic force, causing the operator to experience an unexpected perpendicular change in direction.

## Wet Cut Method (Fig. A, J, K)

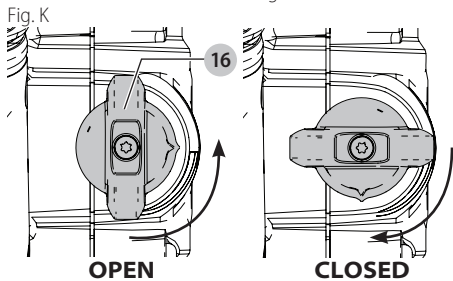
- ⚠ **CAUTION:** Close battery door and securely latch it closed before using any water.
- ⚠ **CAUTION:** Never use the saw over head. When using water, limit cutting to the horizontal position to reduce the risk of water entering the tool.
- ⚠ **WARNING:** Wet cut method is to be used only with a diamond blade.
- ⚠ **WARNING:** The recommended flow rate should be at least 20 fl. oz. (0.6 liters) per minute. Cutting at a flow rate less than recommended or cutting for more than two consecutive hours requires use of NIOSH/OSHA approved respiratory protection for the operator and any bystanders.
- ⚠ **WARNING:** Maximum supplied water pressure not to exceed 60 PSI (4.1 bar).
- ⚠ **WARNING:** Makes sure that water does not flow onto the abrasive wheel while the cut-off machine is not in use. The cutting wheel will absorb water which will affect the balance.
- NOTICE:** Before using the wet cut method, make sure water will not damage the material being cut or surrounding property.

## Attaching the Water Supply

1. Attach the water supply to the quick water connector **23**.
2. Attach the quick water connector to the water inlet **17**.



3. To regulate the water flow, slowly rotate the water valve **16** towards to open position until desired flow is reached as shown in Figure K. To stop the flow of water, rotate the water valve to the closed position.
4. Proceed to cut as described in **Making a Cut** below.
5. After finishing your cuts, run the machine for 3–5 seconds with the water valve closed to remove any residual water from the cutting wheel.



## Removing the Water Supply

1. Turn off and depressurize water system.
2. Make sure the trigger switch **2** is in the OFF position and lock-off button **3** is engaged.
3. Close the water valve **16**.
4. Disconnect the quick water connector **23** from the water inlet **17**.

## Making a Cut

- ⚠ **WARNING:** Always make sure the guard is in place and set for the type of cut you are making.
- ⚠ **WARNING:** Always use your cut-off machine so that the operator and bystanders are not endangered by potential airborne particles of material being cut, sparks, or pieces of damaged cutting wheels.
- ⚠ **DANGER:** To reduce the risk of serious or fatal injury, **DO NOT** change direction during the cut. A change in direction may produce a high torsional load on the cutting wheel and cause it to bind or break.
- ⚠ **CAUTION:** Wear gloves when cutting metal.

1. Mark a cutting line on the material to be cut.
2. Grasp rear handle **1** and front handle **8** firmly.
3. Line up wheel with cutting line. Be sure nothing is near or in line with the wheel.
4. Depress and hold trigger switch **2**, wait for the blade to reach full speed, then slowly feed wheel into work with firm pressure, working along the cutting line. Do not force the tool. Cut only as deep as needed to reduce the amount of dust produced. For maximum efficiency and wheel life, keep the wheel speed high. To maintain control of the cut-off machine, release pressure as you near the end of your cut.
5. To stop tool, release trigger switch **2**.
6. Set the lock-off button **3** to the locked position and make sure the cutting wheel has come to a complete stop before setting the cut-off machine down.

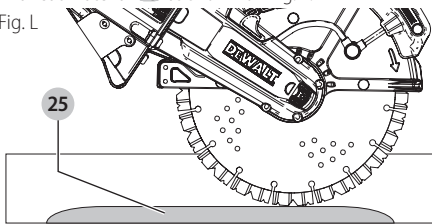
**NOTE:** Denser and thicker material should be cut in several passes. The maximum depth of cut of each pass should not exceed 1.0" (25.4 mm).

### Cutting Slabs (Fig. L, M)

**!** **WARNING:** Before making any cuts, make sure the slab is properly secured on a non-slip surface.

1. Cut a guiding groove along a marked cutting line.
2. Cut deeper into the slab, never exceeding the maximum depth of cut of 3.25" (83 mm), and leaving a ridge of uncut material **25** as shown on Fig. L.

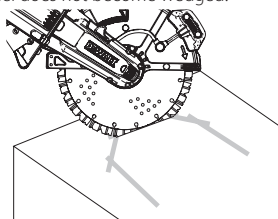
Fig. L



3. Cut through the slab at each end to ensure the slab does not chip.
4. Break the slab.

**NOTE:** Curves must be made into the slab using several straight cuts as shown in Fig. M, always making sure that the cutting wheel does not become wedged.

Fig. M



### Cutting Pipe (Fig. N, O)

**!** **WARNING:** Before making any cuts, make sure the pipe is properly secured on a non-slip surface.

**!** **WARNING:** Pipe may break at any time during the cut. Take precautions to maintain control of the tool and avoid falling debris.

### If the outer diameter of the pipe is smaller than the maximum cutting depth

- Make one cut straight down, starting at the top of the pipe through to the bottom of the pipe.

### If the outer diameter of the pipe is larger than the maximum cutting depth

Several cuts are needed on larger pipes and it is important to make the cuts in the proper sequence.

### If the pipe is in-ground and can not be rolled, make the following sequence of cuts

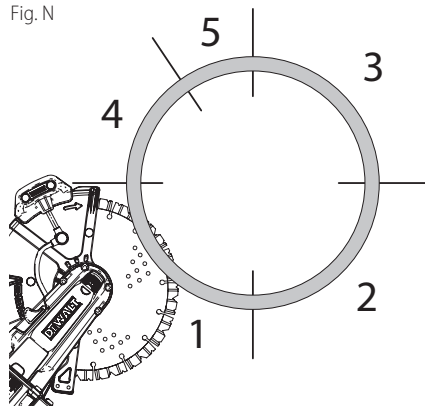
1. Cut a guiding groove along a marked cutting line making sure to avoid any metal reinforcements if possible.
2. Start at the bottom of the pipe and use only the front and upper part of the cutting wheel. This will reduce the risk of kickback or pinching.
3. Using only the front and upper part of the cutting wheel, make a cut on the opposite lower side of the pipe.
4. Make a lateral cut on the top half of the pipe.
5. Make a second lateral cut on the opposite side of the top half.

**IMPORTANT:** To keep the pipe from pinching the cutting wheel, make sure not to cut into the area of the final cut.

6. Make sure all the top and bottom cuts are complete when making the final top cut.

**IMPORTANT:** Always make the final cut from the top of the pipe. If the pipe is properly supported, this will reduce the risk of pinching the cutting wheel. If any pinching does occur it will be at the bottom of the cutting wheel resulting in pull-away but not kickback.

Fig. N

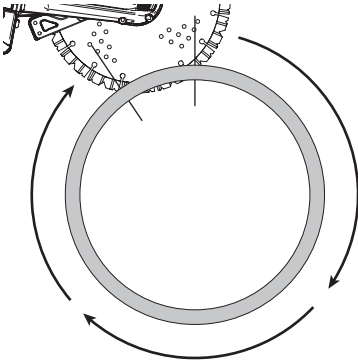


### If the pipe is free and can be rolled, make the following sequence of cuts

1. Secure the pipe on a non-slip surface.
2. Using only the bottom part of the cutting wheel, make a cut in the upper part of the pipe.
3. Roll the pipe and repeat steps 1 and 2 until the cut is complete.

## ENGLISH

Fig. O



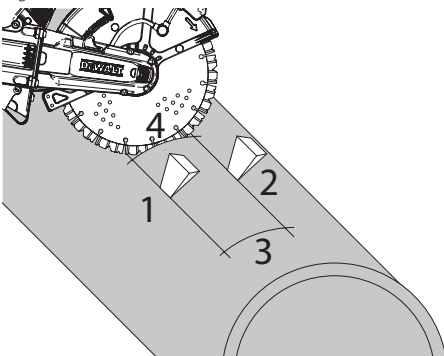
### Cutting a Recess in Concrete Pipe (Fig. P)

**WARNING:** Before making any cuts, make sure the pipe is properly secured on a non-slip surface.

Several cuts are needed to make a recess cut in concrete pipe and it is important to make the cuts in the proper sequence.

1. First make two cuts along the length of the pipe. Always make an axial cut to avoid pinching of the cutting wheel.
2. Insert wedges into the cuts.
3. Make the third and fourth cuts to complete the recess.
4. If the severed part remains after all four cuts are made, do not make any more cuts. Break the severed part out.

Fig. P



### Applications

**WARNING:** NEVER cut magnesium with this tool. Magnesium particles may ignite causing personal injury.

- 1/8" (3 mm) max. gauge sheet metal
- Concrete, cinder blocks and bricks
- Roofing tiles (terracotta or similar)
- Curb stone/pavers
- Asphalt
- Reinforcing rod; generally under 1" (25.4 mm) diameter
- 1/8" (3 mm) diameter concrete wire mesh
- Corrugated floor and ceiling form (concrete forms)

- Electrical conduit 1/8" (3 mm) wall thickness
- 1/8" (3 mm) max. thick structural forms such as channel, angles, plate, etc.

**NOTE:** The cutting of materials heavier than those listed above are not recommended due to the possibility of tool damage.

### MAINTENANCE

**WARNING:** To reduce the risk of serious personal injury, turn unit off and remove the battery pack before making any adjustments or removing/installing attachments or accessories. Make sure the trigger switch is in the OFF position. An accidental start-up can cause injury.

### Maintenance Schedule

	Before use	Daily/After work
Clean machine		X
Check/clean handles	X	
Check intake port		X
Check battery	X	
Check battery compartment	X	
Check water intake	X	
Check cutting wheel	X	
Check guide plate		X

### Cleaning

**WARNING:** Blow dirt and dust out of all air vents with clean, dry air at least once a week. To minimize the risk of eye injury, always wear ANSI Z87.1 approved eye protection when performing this.

**WARNING:** Never use solvents or other harsh chemicals for cleaning the non-metallic parts of the tool. These chemicals may weaken the plastic materials used in these parts. Use a cloth dampened only with water and mild soap. Never let any liquid get inside the tool; never immerse any part of the tool into a liquid.

**WARNING:** Do not use pressurized water to clean your machine. This may damage parts of the machine.

### Accessories

**WARNING:** Since accessories, other than those offered by DEWALT, have not been tested with this product, use of such accessories with this tool could be hazardous. To reduce the risk of injury, only DEWALT recommended accessories should be used with this product.

**WARNING:** Accessories must be rated for at least the speed recommended on the tool warning label. Wheels and other accessories running over rated speed can fly apart and cause injury. Accessory ratings must always be above tool speed as shown on tool nameplate.





**WARNING:** Handle and store all abrasive wheels carefully to prevent damage from thermal shock, heat, mechanical damage, etc. Store in a dry protected area free from high humidity, freezing temperatures or extreme temperature changes.

Recommended accessories for use with your tool are available at extra cost from your local dealer or authorized service center. If you need assistance in locating any accessory, please contact DEWALT Industrial Tool Co., 701 East Joppa Road, Towson, MD 21286, call 1-800-4-DEWALT (1-800-433-9258) or visit our website: [www.dewalt.com](http://www.dewalt.com).

## Repairs

The charger and battery pack are not serviceable.



**WARNING:** To assure product SAFETY and RELIABILITY, repairs, maintenance and adjustment (including brush inspection and replacement, when applicable) should be performed by a DEWALT factory service center or a DEWALT authorized service center. Always use identical replacement parts.

## Register Online

Thank you for your purchase. Register your product now for:

- **WARRANTY SERVICE:** Registering your product will help you obtain more efficient warranty service in case there is a problem with your product.
- **CONFIRMATION OF OWNERSHIP:** In case of an insurance loss, such as fire, flood or theft, your registration of ownership will serve as your proof of purchase.
- **FOR YOUR SAFETY:** Registering your product will allow us to contact you in the unlikely event a safety notification is required under the Federal Consumer Safety Act.

Register online at [www.dewalt.com/register](http://www.dewalt.com/register).

## Three Year Limited Warranty

DEWALT will repair, without charge, any defects due to faulty materials or workmanship for three years from the date of purchase. This warranty does not cover part failure due to normal wear or tool abuse. For further detail of warranty coverage and warranty repair information, visit [www.dewalt.com](http://www.dewalt.com) or call 1-800-4-DEWALT (1-800-433-9258). This warranty does not apply to accessories or damage caused where repairs have been made or attempted by others. THIS LIMITED WARRANTY IS GIVEN IN LIEU OF ALL OTHERS, INCLUDING THE IMPLIED WARRANTY OF MERCHANTABILITY AND FITNESS FOR A PARTICULAR PURPOSE, AND EXCLUDES ALL INCIDENTAL OR CONSEQUENTIAL DAMAGES. Some states do not allow limitations on how long an implied warranty lasts or the exclusion or limitation of incidental or consequential damages, so these limitations may not apply to you. This warranty gives you specific legal rights and you may have other rights which vary in certain states or provinces.

In addition to the warranty, DEWALT tools are covered by our:

### 1 YEAR FREE SERVICE

DEWALT will maintain the tool and replace worn parts caused by normal use, for free, any time during the first year after purchase.

### 2 YEARS FREE SERVICE ON DEWALT BATTERY PACKS

DC9071, DC9091, DC9096, DC9182, DC9280, DC9360, DCB120, DCB127, DCB201, DCB203, DCB203BT, DCB207, DCB361

### 3 YEARS FREE SERVICE ON DEWALT BATTERY PACKS

DCB200, DCB204, DCB204BT, DCB205, DCB205BT, DCB206, DCB606, DCB609

**NOTE:** Battery warranty voided if the battery pack is tampered with in any way. DEWALT is not responsible for any injury caused by tampering and may prosecute warranty fraud to the fullest extent permitted by law.

### 90 DAY MONEY BACK GUARANTEE

If you are not completely satisfied with the performance of your DeWALT Power Tool, Laser, or Nailer for any reason, you can return it within 90 days from the date of purchase with a receipt for a full refund – no questions asked.

**LATIN AMERICA:** This warranty does not apply to products sold in Latin America. For products sold in Latin America, see country specific warranty information contained in the packaging, call the local company or see website for warranty information.

**FREE WARNING LABEL REPLACEMENT:** If your warning labels become illegible or are missing, call 1-800-4-DEWALT (1-800-433-9258) for a free replacement.

## TROUBLESHOOTING

### BE SURE TO FOLLOW SAFETY RULES AND INSTRUCTIONS

For assistance with your product, visit our website at [www.dewalt.com](http://www.dewalt.com) for a list of service centers, or call DeWALT at 1-800-4-DEWALT (1-800-433-9258).

PROBLEM	POSSIBLE CAUSE	SOLUTION
Machine will not start.	Battery pack not installed properly.	Check battery pack installation.
	Battery pack not charged.	Check battery pack charging requirements.
	Battery pack too hot/cold.	Allow battery to cool down or warm up.
	Internal components too hot.	Allow machine to cool down.
Machine shuts off abruptly.	Battery pack has reached its maximum thermal limit.	Allow battery pack to cool down.
	Out of charge. <b>(To maximize the life of the battery pack it is designed to shut off abruptly when the charge is depleted.)</b>	Place on charger and allow to charge.
Reduced run time.	Battery is not completely charged.	Charge battery.
	Life of the battery has been reached.	Replace with a new DEWALT FLEXVOLT™ battery.
Battery pack will not charge.	Battery pack not inserted into charger.	Insert battery pack into charger until LED illuminates.
	Charger not plugged in.	Plug charger into a working outlet. Refer to <i>Important Charging Notes</i> for more details.
	Surrounding air temperature too hot or too cold.	Move charger and battery pack to a surrounding air temperature of approximately 65 °F – 75 °F (18 °C – 24 °C).
Frayed edges or tears on the cutting wheel.	Cutting wheel wobbling.	Replace with a new cutting wheel.
	Cutting wheel is blunt.	Replace with a new cutting wheel.
	Built-up edges on the cutting wheel.	Dress the cutting wheel by briefly cutting in abrasive material.
Cutting wheel wanders off the cutting line.	Cutting wheel wobbling.	Replace with a new cutting wheel.
	Cutting wheel is blunt.	Replace with a new cutting wheel.
	Cutting wheel is not properly installed.	Mount cutting wheel correctly. Refer to <i>Installing Abrasive and Diamond Wheels</i> .
Wear on the side of the cutting wheel.	Surface grinding.	Do not surface grind with the cutting wheel.
Reduced or no cutting performance.	Cutting wheel is blunt.	Replace with a new cutting wheel.
	Built-up edges on the cutting wheel for stone.	Dress the cutting wheel for stone by briefly cutting in abrasive material. Use a new cutting wheel for cutting asphalt.
	Cutting wheel is not properly installed.	Mount cutting wheel correctly. Refer to <i>Installing Abrasive and Diamond Wheels</i> .
	Cutting material for which the cutting wheel is not rated.	Use the proper cutting wheel.
Chipping or cracking in the wheel core.	Overload.	Replace with a new cutting wheel.
Sparking.	Built-up edges on the cutting wheel for stone.	Dress the cutting wheel for stone by briefly cutting in abrasive material. Use a new cutting wheel for cutting asphalt.
Heavy load indicator LED illuminated.	Too much force on the tool.	Reduce force.

## Définitions : symboles et termes d'alarmes sécurité

Ces guides d'utilisation utilisent les symboles et termes d'alarmes sécurité suivants pour vous prévenir de situations dangereuses et de risques de dommages corporels ou matériels.



**DANGER** : indique une situation dangereuse imminente qui, si elle n'est pas évitée, **entraînera la mort ou des blessures graves**.



**AVERTISSEMENT** : indique une situation potentiellement dangereuse qui, si elle n'est pas évitée, **pourrait entraîner la mort ou des blessures graves**.



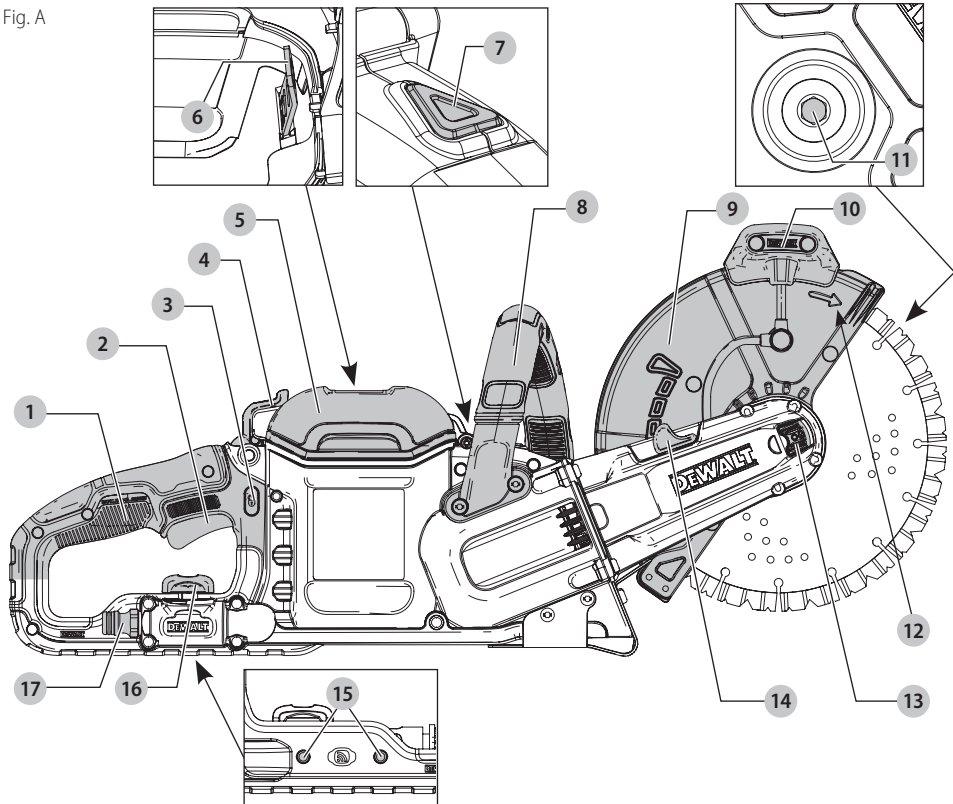
**ATTENTION** : indique une situation potentiellement dangereuse qui, si elle n'est pas évitée, **pourrait entraîner des blessures légères ou modérées**.



(Si utilisé sans aucun terme) Indique un message propre à la sécurité.

**AVIS** : indique une pratique ne posant **aucun risque de dommages corporels** mais qui par contre, si rien n'est fait pour l'éviter, **pourrait poser des risques de dommages matériels**.

Fig. A



1 Poignée arrière

2 Gâchette

3 Bouton de verrouillage

4 Loquet du couvercle du compartiment à piles

5 Couvercle du compartiment à piles

6 Clé de 13 mm (1/2 po) et rangement

7 Témoin à DEL de charge importante

8 Poignée avant

9 Protecteur

10 Poignée de pivotement du protecteur

11 Vis de l'arbre

12 Indicateur de rotation de lame

13 Bouton de verrouillage du fuseau

14 Levier de dégagement du pivotement du protecteur

15 Trous de montage de la balise de l'outil

16 Robinet d'eau

17 Orifice d'admission d'eau



**AVERTISSEMENT!** lire tous les avertissements de sécurité et toutes les directives. Le non-respect des avertissements et des directives pourrait se solder par un choc électrique, un incendie et/ou une blessure grave.



**AVERTISSEMENT** : afin de réduire le risque de blessures, lire le mode d'emploi de l'outil.

Pour toute question ou remarque au sujet de cet outil ou de tout autre outil DEWALT, composez le numéro sans frais : 1-800-4-DEWALT (1-800-433-9258).

## AVERTISSEMENTS DE SÉCURITÉ GÉNÉRAUX POUR LES OUTILS ÉLECTRIQUES



**AVERTISSEMENT!** lire tous les avertissements de sécurité et toutes les directives. Le non-respect des avertissements et des directives pourrait se solder par un choc électrique, un incendie et/ou une blessure grave.

### CONSERVER TOUS LES AVERTISSEMENTS ET TOUTES LES DIRECTIVES POUR UN USAGE ULTÉRIEUR

Le terme « outil électrique » cité dans les avertissements se rapporte à votre outil électrique à alimentation sur secteur (avec fil) ou par piles (sans fil).

#### 1) Sécurité du lieu de travail

- Tenir l'aire de travail propre et bien éclairée.**  
Les lieux encombrés ou sombres sont propices aux accidents.
- Ne pas faire fonctionner d'outils électriques dans un milieu déflamant, tel qu'en présence de liquides, de gaz ou de poussières inflammables.**  
Les outils électriques produisent des étincelles qui pourraient enflammer la poussière ou les vapeurs.
- Éloigner les enfants et les personnes à proximité pendant l'utilisation d'un outil électrique.**  
Une distraction pourrait en faire perdre la maîtrise à l'utilisateur.

#### 2) Sécurité en matière d'électricité

- Les fiches des outils électriques doivent correspondre à la prise. Ne jamais modifier la fiche d'aucune façon. Ne jamais utiliser de fiche d'adaptation avec un outil électrique mis à la terre.** Le risque de choc électrique sera réduit par l'utilisation de fiches non modifiées correspondant à la prise.
- Éviter tout contact physique avec des surfaces mises à la terre comme des tuyaux, des radiateurs, des cuisinières et des réfrigérateurs.** Le risque de choc électrique est plus élevé si votre corps est mis à la terre.
- Ne pas exposer les outils électriques à la pluie ou à l'humidité.** La pénétration de l'eau dans un outil électrique augmente le risque de choc électrique.
- Ne pas utiliser le cordon de façon abusive. Ne jamais utiliser le cordon pour transporter, tirer ou débrancher un outil électrique. Tenir le cordon éloigné de la chaleur, de l'huile, des bords tranchants et des pièces mobiles.** Les cordons endommagés ou enchevêtrés augmentent les risques de choc électrique.
- Pour l'utilisation d'un outil électrique à l'extérieur, se servir d'une rallonge convenant à cette application.** L'utilisation d'une rallonge conçue pour l'extérieur réduira les risques de choc électrique.

- S'il est impossible d'éviter l'utilisation d'un outil électrique dans un endroit humide, brancher l'outil dans une prise ou sur un circuit d'alimentation dotés d'un disjoncteur de fuite à la terre (GFCI).** L'utilisation de ce type de disjoncteur réduit les risques de choc électrique.

#### 3) Sécurité personnelle

- Être vigilant, surveiller le travail effectué et faire preuve de jugement lorsqu'un outil électrique est utilisé. Ne pas utiliser d'outil électrique en cas de fatigue ou sous l'influence de drogues, d'alcool ou de médicaments.** Un simple moment d'inattention en utilisant un outil électrique peut entraîner des blessures corporelles graves.
- Utiliser des équipements de protection individuelle. Toujours porter une protection oculaire.** L'utilisation d'équipements de protection comme un masque antipoussière, des chaussures antidérapantes, un casque de sécurité ou des protecteurs auditifs lorsque la situation le requiert réduira les risques de blessures corporelles.
- Empêcher les démarrages intempestifs. S'assurer que l'interrupteur se trouve à la position d'arrêt avant de relier l'outil à une source d'alimentation et/ou d'insérer un bloc-piles, de ramasser ou de transporter l'outil.** Transporter un outil électrique alors que le doigt repose sur l'interrupteur ou brancher un outil électrique dont l'interrupteur est à la position de marche risque de provoquer un accident.
- Retirer toute clé de réglage ou clé avant de démarrer l'outil.** Une clé ou une clé de réglage attachée à une partie pivotante de l'outil électrique peut provoquer des blessures corporelles.
- Ne pas trop tendre les bras. Conserver son équilibre en tout temps.** Cela permet de mieux maîtriser l'outil électrique dans les situations imprévues.
- S'habiller de manière appropriée. Ne pas porter de vêtements amples ni de bijoux. Garder les cheveux, les vêtements et les gants à l'écart des pièces mobiles.** Les vêtements amples, les bijoux ou les cheveux longs risquent de rester coincés dans les pièces mobiles.
- Si des composants sont fournis pour le raccordement de dispositifs de dépoussiérage et de ramassage, s'assurer que ceux-ci sont bien raccordés et utilisés.** L'utilisation d'un dispositif de dépoussiérage peut réduire les dangers engendrés par les poussières.

#### 4) Utilisation et entretien d'un outil électrique

- Ne pas forcer un outil électrique. Utiliser l'outil électrique approprié à l'application.** L'outil électrique approprié effectuera un meilleur travail, de façon plus sûre et à la vitesse pour laquelle il a été conçu.

- b) **Ne pas utiliser un outil électrique dont l'interrupteur est défectueux.** Tout outil électrique dont l'interrupteur est défectueux est dangereux et doit être réparé.
- c) **Débrancher la fiche de la source d'alimentation et/ou du bloc-piles de l'outil électrique avant de faire tout réglage ou changement d'accessoire ou avant de ranger l'outil.** Ces mesures préventives réduisent les risques de démarrage accidentel de l'outil électrique.
- d) **Ranger les outils électriques hors de la portée des enfants et ne permettre à aucune personne n'étant pas familière avec un outil électrique ou son mode d'emploi d'utiliser cet outil.** Les outils électriques deviennent dangereux entre les mains d'utilisateurs inexpérimentés.
- e) **Entretien des outils électriques. Vérifier si les pièces mobiles sont mal alignées ou coincées, si des pièces sont brisées ou présentent toute autre condition susceptible de nuire au bon fonctionnement de l'outil électrique. En cas de dommage, faire réparer l'outil électrique avant toute nouvelle utilisation.** Beaucoup d'accidents sont causés par des outils électriques mal entretenus.
- f) **S'assurer que les outils de coupe sont aiguisés et propres.** Les outils de coupe bien entretenus et affûtés sont moins susceptibles de se coincer et sont plus faciles à maîtriser.
- g) **Utiliser l'outil électrique, les accessoires, les forets, etc. conformément aux présentes directives en tenant compte des conditions de travail et du travail à effectuer.** L'utilisation d'un outil électrique pour toute opération autre que celle pour laquelle il a été conçu est dangereuse.

## 5) Utilisation et entretien du bloc-piles

- a) **Ne recharger l'outil qu'au moyen du chargeur précisé par le fabricant.** L'utilisation d'un chargeur qui convient à un type de bloc-piles risque de provoquer un incendie s'il est utilisé avec un autre type de bloc-piles.
- b) **Utiliser les outils électriques uniquement avec les blocs-piles conçus à cet effet.** L'utilisation de tout autre bloc-piles risque de causer des blessures ou un incendie.
- c) **Lorsque le bloc-piles n'est pas utilisé, le tenir éloigné des objets métalliques, notamment des trombones, de la monnaie, des clés, des clous, des vis ou autres petits objets métalliques qui peuvent établir une connexion entre les deux bornes.** Le court-circuit des bornes du bloc-piles risque de provoquer des brûlures ou un incendie.
- d) **En cas d'utilisation abusive, le liquide peut gicler hors du bloc-piles; éviter tout contact avec ce liquide. Si un contact accidentel se produit, laver à grande eau. Si le liquide entre en contact avec les yeux, obtenir également des soins médicaux.** Le liquide qui gicle hors du bloc-piles peut provoquer des irritations ou des brûlures.

## 6) Réparation

- a) **Faire réparer l'outil électrique par un réparateur professionnel en n'utilisant que des pièces de rechange identiques.** Cela permettra de maintenir une utilisation sécuritaire de l'outil électrique.

## Règles de sécurité particulières additionnelles propres aux tronçonneuses

- a) **Le carter fourni avec l'outil doit être solidement fixé à l'outil électrique et positionné pour optimiser la sécurité pour que l'utilisateur soit le moins possible exposé à la meule. Se positionner, ainsi que tout tiers présent, hors du plan de rotation de la meule.** Le carter aide à protéger l'utilisateur contre toute projection de fragments et contre tout contact avec la meule.
- b) **Utilisez uniquement des meules agglomérées renforcées ou des lames diamantées avec l'outil électrique.** Le fait qu'un accessoire peut être connecté à l'outil ne veut pas automatiquement dire que son utilisation ne posera aucun risque.
- c) **La vitesse nominale des accessoires utilisés doit être équivalente ou supérieure à la vitesse maximale apposée sur l'outil.** Les accessoires utilisés à une vitesse supérieure à leur vitesse nominale peuvent éclater ou se détacher de l'outil.
- d) **Les meules ne doivent être utilisées que pour les applications recommandées. Par exemple : ne pas meuler avec la partie latérale d'une meule à tronçonner.** Les meules à tronçonner ont été conçues pour le meulage périphérique, toute force latérale appliquée sur ces meules pourrait les faire éclater.
- e) **Utiliser systématiquement des brides de meules en parfait état, du diamètre adapté à la meule choisie.** Les brides de meules servent de support aux meules, réduisant ainsi les possibilités que la meule se brise.
- f) **Ne pas utiliser de meules renforcées émoussées par des outils électriques plus gros.** Les meules conçues pour les gros outils ne sont pas adaptées aux vitesses plus rapides des outils plus petits, et risqueraient d'éclater.
- g) **Le diamètre externe et l'épaisseur de l'accessoire utilisé doivent se conformer aux spécifications de la plaque signalétique de l'outil électrique.** Les accessoires aux spécifications incorrectes ne peuvent être ni maintenus ni contrôlés de façon adéquate.
- h) **L'alésage des meules et brides doit correspondre parfaitement à la taille de la broche de l'outil électrique.** Les meules et brides dont l'alésage ne correspond pas au dispositif d'installation de l'outil électrique ne tourneront pas correctement, vibreront de façon excessive et pourront causer la perte de contrôle de l'outil.
- i) **Ne pas utiliser de meules endommagées. Avant chaque utilisation, vérifier que les meules ne comportent aucune fissure ou craquelure. En cas de chute de l'outil électrique ou de la meule,**

**vérifier les dommages ou remplacer la meule par une neuve. Après avoir inspecté et installé une meule, se positionner, soi-même et tout individu présent, hors du plan de rotation de la meule et laisser tourner l'outil une minute à sa vitesse à vide maximale.** En général, les meules endommagées se brisent pendant ce temps d'essai.

- j) **Porter un équipement individuel de protection. Selon l'application, utiliser une protection faciale et des lunettes ou un masque de protection. Si approprié, porter un masque anti-poussières, une protection auditive, des gants et un tablier d'atelier capables de vous protéger contre toute projection abrasive ou tout fragment. La protection oculaire doit pouvoir arrêter toute projection de débris engendrés par des opérations diverses. Le masque anti-poussières, ou l'appareil de protection des voies respiratoires, doit pouvoir filtrer les particules engendrées par l'opération en cours.** Toute exposition prolongée à un haut niveau de décibels peut occasionner une perte de l'acuité auditive.
- k) **Maintenir à distance toute personne étrangère au travail en cours. Toute personne à l'intérieur de l'aire de travail doit porter un équipement individuel de protection.** Des débris provenant de la pièce à travailler ou d'une meule endommagée pourraient être éjectés et causer des dommages corporels au-delà de l'aire de travail immédiate.
- l) **Tenez l'outil électrique uniquement par les surfaces de prise isolées lorsque vous effectuez une tâche où l'accessoire de coupe peut entrer en contact avec un câble dissimulé.** Tout contact de l'organe de coupe avec un fil sous tension mettra les parties métalliques exposées de l'outil électrique sous tension et électrocutera l'utilisateur.
- m) **Attendre systématiquement l'arrêt complet de l'accessoire avant de poser l'outil électrique.** La meule en rotation pourrait s'accrocher à une surface et vous faire perdre le contrôle de l'outil électrique.
- n) **Ne pas laisser l'outil électrique tourner alors que vous le transportez à votre côté.** Tout contact accidentel de l'accessoire en rotation pourrait faire que ce dernier s'accroche aux vêtements et entre en contact avec le corps.
- o) **Nettoyer régulièrement les orifices d'aération de l'outil.** Le ventilateur du moteur attirera de la poussière à l'intérieur du boîtier et toute accumulation excessive de poussières métalliques pose des risques électriques.
- p) **Ne pas utiliser cet outil électrique à proximité de matériaux inflammables, car des étincelles pourraient les enflammer.**

## Rebonds et avertissements afférents

Les rebonds sont la conséquence soudaine d'un grippage ou d'un blocage de meule en rotation. Tout grippage ou blocage causera l'arrêt soudain de la meule en rotation, ce

qui projettera l'outil électrique non contrôlé dans la direction opposée à la meule en rotation au point de grippage.

Par exemple, si une meule abrasive reste accrochée ou pincée dans une pièce à travailler, le bord de la meule engagée au point de grippage peut s'enfoncer dans la surface du matériau et faire sauter ou rebondir la meule. La meule peut alors rebondir en direction ou à l'opposé de l'utilisateur, selon le sens du mouvement de la meule au point de grippage. Dans ces conditions, il peut aussi arriver que les meules abrasives se brisent.

Les rebonds proviennent d'une utilisation inadéquate de l'outil électrique et/ou d'une procédure ou de conditions d'utilisation incorrectes, et peuvent être évités en prenant les précautions appropriées détaillées ci-après :

- a) **Maintenir l'outil électrique fermement et positionner les bras et le corps de façon à pouvoir résister à toute force de rebonds. Pour maximiser la maîtrise en cas de rebonds ou de réaction de couple au démarrage, tenez toujours les poignées avant et arrière.** En prenant les précautions adéquates, l'utilisateur pourra contrôler tout retour de couple ou force de rebond.
- b) **Ne jamais approcher les mains de l'accessoire en rotation.** L'accessoire pourrait rebondir sur celles-ci.
- c) **Ne pas positionner le corps en alignement avec la meule en rotation.** Les rebonds projeteront l'outil dans la direction opposée au mouvement de la meule au point de grippage.
- d) **Prendre des précautions supplémentaires pour travailler les coins, les bords acérés, etc. Éviter que l'accessoire rebondisse ou reste grippé.** Les coins, bords acérés ou les sursauts ont tendance à retenir l'accessoire en rotation et causer la perte de contrôle de l'outil ou des rebonds.
- e) **Ne fixez pas une chaîne coupante, une lame pour sculpture sur bois ou une lame de scie dentée sur l'outil.** Ces lames provoquent des rebonds et une perte de la maîtrise fréquentes de l'outil.
- f) **N'utilisez pas une meule segmentée avec des fentes périphériques de plus de 10 mm (3/8 po).**
- g) **Ne pas « bloquer » la meule ou lui appliquer une pression excessive. Ne pas effectuer des profondeurs de coupe excessives.** Surcharger la meule augmente la contrainte sur l'outil et les risques de torsion ou grippage de la meule dans la coupe et, en conséquence, les risques de rebonds ou de cassure de la meule.
- h) **En cas de grippage de la meule ou pour toute autre interruption de la coupe, mettre l'outil électrique hors tension et le maintenir immobile jusqu'à arrêt complet de la meule. Ne jamais tenter de retirer une meule de la coupe alors qu'elle est en rotation, car il y a des risques de rebonds.** Examiner le travail et prendre les mesures qui s'imposent pour éliminer tout risque de grippage.
- i) **Ne pas reprendre la coupe avec la meule dans la pièce à travailler. Laisser la meule tourner à plein régime puis pénétrer à nouveau dans la coupe prudemment.** Redémarrer l'outil électrique dans la coupe pose des risques de grippages, de sursauts ou de rebonds de la meule.

- j) **Étayer les panneaux ou autres larges pièces pour minimiser les risques de grippages et de rebonds. Les grandes pièces ont tendance à s'affaisser sous leur propre poids.** Le support peut être installé sous la pièce, près de la ligne de coupe et près des bords de chaque côté de la meule.
- k) **Prendre des précautions supplémentaires lors de « coupes en plongée » dans des murs existants ou dans toute zone à visibilité limitée.** La meule pourrait couper des conduites de gaz ou d'eau, des fils électriques ou des objets pouvant causer des rebonds.

## Consigne de sécurité supplémentaire

- **L'utilisation d'accessoires non spécifiés dans le présent guide n'est pas recommandée et peut présenter un danger.** L'utilisation d'un compresseur en vue de faire fonctionner l'outil à une vitesse supérieure à la vitesse nominale recommandée constitue un emploi abusif de l'outil.
- **N'utilisez pas de lames de scie circulaire avec cet outil.** Il y a risque de blessures graves.
- **Éviter de faire rebondir la meule durant son fonctionnement ou de l'utiliser sans ménagement.** Si la meule subit de tels traitements, arrêter l'outil et inspecter cette dernière.
- **Orientez des étincelles loin de l'utilisateur, des passants et des matières inflammables.** Un outil de découpe peut produire des étincelles en cours de fonctionnement qui peuvent entraîner des blessures ou amorcer un incendie.
- **Utilisez toujours la poignée avant. Avant d'utiliser l'outil, assurez-vous que la poignée avant est solidement fixée.** La poignée avant doit toujours être utilisée pour garder la maîtrise de l'outil en tout temps.
- **Ne jamais couper dans une zone pouvant camoufler des tuyaux ou des fils électriques** afin d'éviter les risques de blessure grave.
- **Bien nettoyer l'outil périodiquement, surtout après l'avoir utilisé longuement,** car la poussière et les particules métalliques tendent à s'accumuler sur les surfaces internes et peuvent entraîner des risques de choc électrique.
- **Ne pas utiliser l'outil pendant de longues périodes car les vibrations causées par ce dernier peuvent être endommageables aux mains et aux bras.** Porter des gants afin d'amortir les vibrations et restreindre l'exposition du corps aux vibrations en arrêtant fréquemment.
- **N'utilisez jamais le poids de l'outil pour arrêter la rotation de la lame.**
- **Ne laissez jamais la machine de découpe sans surveillance si elles sont en mode opérationnel.** Lorsque la machine de découpe n'est pas utilisée, déposez le bloc-piles, assurez-vous que la gâchette est en position ouverte (« OFF ») et le bouton de verrouillage, enclenché.
- **Portez toujours des bottes robustes avec des semelles antidérapantes et des gants de travail pour service intensif lorsque vous utilisez la machine**

**de découpe.** Des gants de travail pour service intensif améliorent la prise et protègent les mains.

- **Toujours utiliser une protection respiratoire approuvée par NIOSH/OSHA quand la coupe à l'eau est effectuée en dessous du débit recommandé.**
- **Consultez et respectez toute loi ou réglementation fédérale, territoriale, étatique, provinciale ou municipale pour la coupe à sec et à l'eau.**
- **Ne touchez jamais la meule en rotation avec une partie quelconque du corps.**
- **Lors du transport de la machine, assurez-vous que le bouton de verrouillage est enclenché.**
- **Après utilisation, déposez la meule à tronçonner, car elle risque de s'endommager au cours du transport.**
- **N'utilisez jamais une meule de tronçonnage endommagée, gauchie ou qui vibre.**
- **N'utilisez jamais la machine à tronçonner debout sur une échelle ou un échafaudage.**
- **Ne coupez jamais au-dessus de la hauteur des épaules.**
- **Ne coupez pas de bois, ou toute autre matière, pour laquelle la meule à tronçonner n'est pas classée.**
- **Avec une lame diamantée, utilisez la méthode de coupe à l'eau chaque fois que possible.** L'eau fonctionne comme un lubrifiant et réduit le risque de forces réactives.
- **Soyez prudents au moment de pénétrer de nouveau dans une entaille.** N'enfonchez pas la meule à tronçonner dans l'entaille de biais, car cela peut augmenter le risque de grippage.
- **Soyez toujours attentif. Essayez toujours d'empêcher la pièce traitée de se refermer à l'entaille et de coincer la meule à tronçonner.** Soutenez toujours la pièce de travail pour que l'entaille taille demeure ouverte. Ne procédez jamais à une coupe quand il est possible que la meule à tronçonner risque de se coincer.



**AVERTISSEMENT :** porter **SYSTEMATIQUEMENT** des lunettes de protection. Les Lunettes courantes NE sont PAS des lunettes de protection. Utiliser aussi un masque antipoussières si la découpe doit en produire beaucoup. **PORTER SYSTEMATIQUEMENT UN ÉQUIPEMENT DE SÉCURITÉ HOMOLOGUÉ :**

- Protection oculaire ANSI Z87.1 (CAN/CSA Z94.3) ;
- Protection auditive ANSI S12.6 (S3.19) ;
- Protection des voies respiratoires NIOSH/OSHA/MSHA.



**AVERTISSEMENT :** les scies, meules, ponceuses, perceuses ou autres outils de construction peuvent produire des poussières contenant des produits chimiques reconnus par l'État californien pour causer cancers, malformations congénitales ou être nocifs au système reproducteur. Parmi ces produits chimiques, on retrouve :

- Le plomb dans les peintures à base de plomb ;
- La silice cristallisée dans les briques et le ciment, ou autres produits de maçonnerie ; et

## FRANÇAIS

- L'arsenic et le chrome dans le bois ayant subi un traitement chimique.

Le risque associé à de telles expositions varie selon la fréquence à laquelle on effectue ces travaux. Pour réduire toute exposition à ces produits : travailler dans un endroit bien aéré, en utilisant du matériel de sécurité homologué, tel un masque antipoussières spécialement conçu pour filtrer les particules microscopiques.

- **Limiter toute exposition prolongée avec les poussières provenant du ponçage, sciage, meulage, perçage ou toute autre activité de construction. Porter des vêtements de protection et nettoyer à l'eau savonneuse les parties du corps exposées.** Le fait de laisser la poussière pénétrer dans la bouche, les yeux ou la peau peut favoriser l'absorption de produits chimiques dangereux.

**⚠ AVERTISSEMENT :** cet outil peut produire et/ou répandre de la poussière susceptible de causer des dommages sérieux et permanents au système respiratoire. Utiliser systématiquement un appareil de protection des voies respiratoires homologué par le NIOSH ou l'OSHA. Diriger les particules dans le sens opposé au visage et au corps.

**⚠ AVERTISSEMENT :** pendant l'utilisation, porter systématiquement une protection auditive individuelle adéquate homologuée ANSI S12.6 (S3.19). Sous certaines conditions et suivant la durée d'utilisation, le bruit émanant de ce produit pourrait contribuer à une perte de l'acuité auditive.

**⚠ ATTENTION :** après utilisation, ranger l'outil sur son côté, sur une surface stable, là où il ne pourra ni faire trébucher ni faire chuter quelqu'un. Certains outils équipés d'un large bloc-piles peuvent tenir à la verticale sur celui-ci, mais manquent alors de stabilité.

- **Prendre des précautions à proximité des événements, car ils cachent des pièces mobiles.** Vêtements amples, bijoux ou cheveux longs risquent de rester coincés dans ces pièces mobiles.

L'étiquette apposée sur votre outil peut inclure les symboles suivants. Les symboles et leur définition sont indiqués ci-après :

V.....volts	SPM (FPM).....fréquence par minute
Hz.....hertz	A.....ampères
min.....minutes	W.....watts
— or DC.....courant continu	⤿ or AC.....courant alternatif
Ⓜ.....fabrication classe I (mis à la terre)	⤿ or AC/DC.....courant alternatif ou continu
.../min.....par minute	Ⓜ.....fabrication classe II (double isolation)
BPM.....batttements par minute	n <sub>0</sub> .....vitesse à vide
IPM.....impacts par minute	n.....vitesse nominale
RPM.....révolutions par minute	⊕.....borne de terre
sfpM.....pieds linéaires par minute (plpm)	⚠.....symbole d'avertissement
	⚠.....radiation visible

Ⓜ.....protection respiratoire	Ⓜ.....protection auditive
Ⓜ.....protection oculaire	Ⓜ.....lire toute la documentation

## BLOCS-PILES ET CHARGEURS

Le bloc-piles n'est pas totalement chargé d'usine. Avant d'utiliser le bloc-piles et le chargeur, lire les consignes de sécurité ci-après puis suivre la procédure de chargement indiquée. Pour commander un bloc-piles de rechange, s'assurer d'en inclure le numéro de catalogue et la tension. Cet outil fonctionne avec un chargeur DEWALT. S'assurer de bien lire toutes les consignes de sécurité avant toute utilisation du chargeur. Consulter le tableau en fin de manuel pour connaître les compatibilités entre chargeurs et blocs-piles.

### LIRE TOUTES LES CONSIGNES

#### Consignes importantes de sécurité les blocs-piles

**⚠ AVERTISSEMENT :** lire toutes les instructions et toutes les consignes de sécurité propres au bloc-piles, au chargeur et à l'outil électrique. Tout manquement aux avertissements et instructions pose des risques de décharges électriques, d'incendie et/ou de blessures graves.

- **Ne pas recharger ou utiliser un bloc-piles en milieu déflagrant, en présence, par exemple, de poussières, gaz ou liquides inflammables.** Le fait d'insérer ou retirer un bloc-piles de son chargeur pourrait causer l'inflammation de poussières ou d'émanations.
- **NE JAMAIS forcer l'insertion d'un bloc-piles dans un chargeur. NE modifier un bloc-piles d'AUCUNE façon pour le faire rentrer dans un chargeur incompatible, car il pourrait se briser et causer des dommages corporels graves.** Consulter le tableau en dernière page de ce manuel pour connaître les compatibilités entre chargeurs et blocs-piles.
- Recharger les blocs-piles exclusivement dans des chargeurs DEWALT.
- **NE PAS** élabousser le bloc-piles ou l'immerger dans l'eau ou dans tout autre liquide.
- **Ne pas entreposer ou utiliser l'appareil et le bloc-piles en présence de températures ambiantes pouvant excéder 40 °C (104 °F) (comme dans des hangars ou des bâtiments métalliques l'été).** Pour préserver leur durée de vie, entreposer les blocs-piles dans un endroit frais et sec.  
**REMARQUE :** ne pas mettre un bloc-piles dans un outil dont la gâchette est verrouillée en position de marche. Ne jamais bloquer l'interrupteur en position de MARCHÉ.
- **Ne pas incinérer le bloc-piles même s'il est sévèrement endommagé ou complètement usagé, car il pourrait exploser et causer un incendie.** Pendant l'incinération des blocs-piles au lithium-ion, des vapeurs et matières toxiques sont dégagées.



- **En cas de contact du liquide de la pile avec la peau, rincer immédiatement au savon doux et à l'eau.** En cas de contact oculaire, rincer l'œil ouvert à l'eau claire une quinzaine de minutes ou jusqu'à ce que l'irritation cesse. Si des soins médicaux s'avéraient nécessaires, noter que l'électrolyte de la pile est composé d'un mélange de carbonates organiques liquides et de sels de lithium.
- **Le contenu des cellules d'une pile ouverte peut causer une irritation respiratoire.** En cas d'inhalation, exposer l'individu à l'air libre. Si les symptômes persistent, consulter un médecin.

**⚠ AVERTISSEMENT :** risques de brûlure. Le liquide de la pile peut s'enflammer s'il est exposé à des étincelles ou à une flamme.

**⚠ AVERTISSEMENT :** risques d'incendie. Ne jamais tenter d'ouvrir le bloc-piles pour quelque raison que ce soit. Si le boîtier du bloc-piles est fissuré ou endommagé, ne pas l'insérer dans un chargeur. Ne pas écraser, laisser tomber, ou endommager les blocs-piles. Ne pas utiliser un bloc-piles ou un chargeur qui a reçu un choc violent, ou si l'appareil est tombé, a été écrasé ou endommagé de quelque façon que ce soit (p. ex. percé par un clou, frappé d'un coup de marteau, piétiné). Les blocs-piles endommagés doivent être renvoyés à un centre de réparation pour y être recyclés.

## Transport

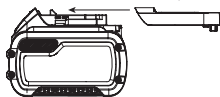
**⚠ AVERTISSEMENT :** risques d'incendie. Au moment de ranger ou transporter le bloc-piles, veiller à protéger ses bornes à découvert de tout objet métallique. Par exemple, éviter de placer le bloc-piles dans un tablier, une poche, une boîte à outils ou un tiroir, etc. contenant des objets tels que clous, vis, clés, etc. **Le fait de transporter des blocs-piles comporte des risques d'incendie, car les bornes des piles pourraient entrer, par inadvertance, en contact avec des objets conducteurs, tels que : clés, pièces de monnaie, outils ou autres.**

La réglementation sur les produits dangereux (Hazardous Material Regulations) du département américain des transports interdit, en fait, le transport des blocs-piles dans les commerces ou dans les avions dans les bagages de cabine, À MOINS qu'ils ne soient correctement protégés de tout court-circuit. Aussi lors du transport individuel de blocs-piles, s'assurer que leurs bornes sont bien protégées et isolées de tout matériau pouvant entrer en contact avec elles et provoquer un court-circuit.

## Expédition du bloc-piles DEWALT FLEXVOLT™

Le bloc-piles DEWALT FLEXVOLT™ possède deux modes : Utilisation et Expédition.

**Mode Utilisation :** lorsque le bloc-piles FLEXVOLT™ est par lui-même ou dans un produit DEWALT 20 v max\*, il fonctionnera comme un bloc-piles de 20 v max\*. Lorsque le bloc-piles FLEXVOLT™ est dans un produit de 60 v max\* ou 120 v max\* (deux



blocs-piles de 60 v max\*), il fonctionnera comme un bloc-piles de 60 v max\*.

**Mode Expédition :** lorsque le capuchon est inséré sur le bloc-piles FLEXVOLT™, le bloc-piles est en mode Expédition. Les modules de cellules sont électriquement déconnectés du bloc le faisant correspondre à trois blocs-piles d'un wattheure (Wh) inférieur comparé à un bloc-piles de wattheure élevé. Ce passage à trois blocs-piles à un wattheure inférieur peut permettre au bloc-piles d'être exempté de suivre certaines directives d'expédition imposées sur les blocs-piles de wattheure supérieur.

L'étiquette du bloc-piles donne deux estimations de wattheures (se reporter à l'exemple). Selon comment le bloc-piles est expédié, l'estimation appropriée de wattheure doit être utilisée pour déterminer les modalités d'expédition lui correspondant. Si le capuchon d'expédition est utilisé, le bloc-piles sera considéré comme 3 blocs-piles au wattheure indiqué pour « Expédition ». S'il est expédié sans le capuchon ou dans un outil, le bloc-piles sera considéré comme un seul bloc-piles au wattheure indiqué à côté de « Utilisation ».

Exemple d'étiquetage d'utilisation et d'expédition

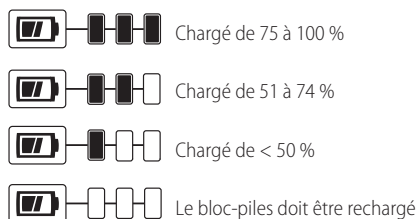
**USE: 120 Wh Shipping: 3 x 40 Wh**

Par exemple, le Wh de expédition pourra indiquer 3 x 40 Wh, ce qui correspond à 3 blocs-piles de 40 wattheures chacun. L'utilisation du Wh pourra indiquer 120 Wh (sous-entendu 1 bloc-piles).

## Témoin de Charge du Bloc-Piles (Fig. B)

Certains blocs-piles DEWALT possèdent un témoin de charge qui consiste en trois voyants Del verts indiquant le niveau de charge du bloc-piles.

Le témoin de charge indique approximativement le niveau de charge restant dans le bloc-piles en fonction des voyants suivants :



Pour activer le témoin de charge, maintenez appuyé le bouton du témoin de charge. Une combinaison des trois voyants Del verts s'allumera indiquant le niveau de charge. Lorsque le niveau de charge du bloc-pile atteint la limite minimale d'utilisation, le témoin de charge reste éteint et le bloc-piles doit être rechargé.

Fig. B



**REMARQUE :** le témoin de charge ne fait qu'indiquer le niveau de charge du bloc-piles. Il ne donne aucune indication quant au fonctionnement de l'outil. Son propre fonctionnement pourra aussi varier en fonction

## FRANÇAIS

des composants produit, de la température et de l'application d'utilisation.

Pour plus d'informations quant au témoin de charge du bloc-piles, veuillez appeler le 1-800-4-DEWALT (1-800-433-9258) ou vous rendre sur notre site [www.dewalt.com](http://www.dewalt.com).

## Le sceau SRPRC®

Le sceau SRPRC® (Société de recyclage des piles rechargeables du Canada) apposé sur une pile au nickel-cadmium, à hydrure métallique de nickel ou au lithium-ion (ou un bloc-piles) indique que les coûts de recyclage de ces derniers en fin d'utilisation ont déjà été réglés par DEWALT. Dans certaines régions, la mise au rebut ou aux ordures municipales des piles au nickel-cadmium, à l'hydrure métallique de nickel ou au lithium-ion, est illégale; le programme de l'Appel à Recycler® constitue donc une solution pratique et écologique.

Appel à Recycler Canada, Inc., en collaboration avec DEWALT et d'autres utilisateurs de piles, a mis sur pied de programme aux États-Unis et au Canada pour faciliter la collecte des piles au nickel-cadmium, à l'hydrure métallique de nickel ou au lithium-ion usagées. Aidez-nous à protéger l'environnement et à conserver nos ressources naturelles en renvoyant les piles au nickel-cadmium, à l'hydrure métallique de nickel ou au lithium-ion usagées à un centre de réparation autorisé DEWALT ou chez votre détaillant afin qu'elles y soient recyclées. On peut en outre se renseigner auprès d'un centre de recyclage local pour connaître d'autres sites les acceptant.

SRPRC® est une marque déposée de l'Appel à Recycler Canada, Inc.



## Directives de sécurité importantes propres à tous les chargeurs de piles

**⚠️ AVERTISSEMENT : lire toutes les instructions et toutes les consignes de sécurité propres au bloc-piles, au chargeur et à l'outil électrique. Tout manquement aux avertissements et instructions pose des risques de décharges électriques, d'incendie et/ou de blessures graves.**

- **NE PAS tenter de charger de bloc-piles avec des chargeurs autres que ceux décrits dans ce manuel.** Le chargeur et son bloc-piles ont été conçus tout spécialement pour fonctionner ensemble.
- **Ces chargeurs n'ont pas été conçus pour une utilisation autre que recharger les blocs-piles rechargeables DEWALT.** Toute autre utilisation comporte des risques d'incendie, de chocs électriques ou d'électrocution.
- **Protéger le chargeur de la pluie ou de la neige.**
- **Tirer sur la fiche plutôt que sur le cordon pour débrancher le chargeur.** Cela permet de réduire les risques d'endommager la fiche ou le cordon d'alimentation.
- **S'assurer que le cordon est protégé de manière à ce que personne ne marche ni ne trébuche dessus,**

**ou à ce qu'il ne soit ni endommagé ni soumis à aucune tension.**

- **N'utiliser une rallonge qu'en cas de nécessité absolue.** L'utilisation d'une rallonge inadéquate comporte des risques d'incendie, de chocs électriques ou d'électrocution.
- **Pour utiliser un chargeur à l'extérieur, le placer dans un endroit sec et utiliser une rallonge conçue pour l'extérieur.** L'utilisation d'une rallonge conçue pour l'extérieur réduit les risques de chocs électriques.
- **Pour la sécurité de l'utilisateur, utiliser une rallonge de calibre adéquat (AWG, American Wire Gauge [calibrage américain normalisé des fils électriques]).** Plus le calibre est petit, et plus sa capacité est grande. Un calibre 16, par exemple, a une capacité supérieure à un calibre 18. L'usage d'une rallonge de calibre insuffisant causera une chute de tension qui entraînera perte de puissance et surchauffe. Si plus d'une rallonge est utilisée pour obtenir une certaine longueur, s'assurer que chaque rallonge présente au moins le calibre de fil minimum. Le tableau ci-dessous illustre les calibres à utiliser selon la longueur de rallonge et l'intensité nominale indiquée sur la plaque signalétique. En cas de doute, utiliser le calibre suivant. Plus le calibre est petit, plus la rallonge peut supporter de courant.

### Calibre minimum pour les cordons d'alimentation

Volts	Longueur totale du cordon d'alimentation en mètre (pieds)					
	7,6 (25)	15,2 (50)	30,5 (100)	45,7 (150)	61,0 (200)	91,4 (300)
120 V						
240 V						
Ampères		AWG				
Plus que	Pas plus que					
0	6	18	16	16	14	
6	10	18	16	14	12	
10	12	16	16	14	12	
12	16	14	12	Non recommandé		

- **Ne poser aucun objet sur le chargeur. Ne pas mettre le chargeur sur une surface molle qui pourrait en bloquer la ventilation et provoquer une surchauffe interne.** Éloigner le chargeur de toute source de chaleur. Le chargeur dispose d'orifices d'aération sur le dessus et le dessous du boîtier.
- **Ne pas le faire fonctionner avec un cordon d'alimentation ou une fiche endommagée.**
- **Ne pas utiliser le chargeur s'il a reçu un coup, fait une chute ou a été endommagé de quelque façon que ce soit.** Le ramener dans un centre de réparation agréé.
- **Ne pas démonter le chargeur. Pour tout service ou réparation, le rapporter dans un centre de réparation agréé.** Le fait de le réassembler de façon incorrecte comporte des risques de chocs électriques, d'électrocution et d'incendie.
- **Débrancher le chargeur du secteur avant tout entretien. Cela réduira tout risque de chocs électriques.** Le fait de retirer le bloc-piles ne réduira pas ces risques.

- **NE JAMAIS** tenter de connecter 2 chargeurs ensemble.
- **Le chargeur a été conçu pour être alimenté en courant électrique domestique standard de 120 volts. Ne pas tenter de l'utiliser avec toute autre tension.** Cela ne s'applique pas aux chargeurs de postes mobiles.

**⚠ AVERTISSEMENT :** risques de chocs électriques. Ne laisser aucun liquide pénétrer dans le chargeur, des chocs électriques pourraient en résulter.

**⚠ AVERTISSEMENT :** risques de brûlure. Ne submerger le bloc-piles dans aucun liquide et le protéger de toute infiltration de liquide. Ne jamais tenter d'ouvrir le bloc-piles pour quelque raison que ce soit. Si le boîtier plastique du bloc-piles est brisé ou fissuré, le retourner dans un centre de réparation pour y être recyclé.

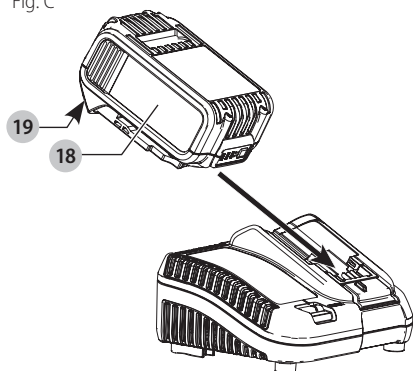
**⚠ ATTENTION :** risques de brûlure. Pour réduire tout risque de dommages corporels, ne recharger que des blocs-piles rechargeables DeWALT. Tout autre type de piles pourrait exploser et causer des dommages corporels et matériels.

**AVIS :** sous certaines conditions, lorsque le chargeur est connecté au bloc d'alimentation, des matériaux étrangers pourraient court-circuiter le chargeur. Les corps étrangers conducteurs tels que (mais pas limité à) poussières de rectification, débris métalliques, laine d'acier, feuilles d'aluminium, ou toute accumulation de particules métalliques doivent être maintenus à distance des orifices du chargeur. Débrancher systématiquement le chargeur lorsque le bloc-piles n'y est pas inséré. Débrancher systématiquement le chargeur avant tout entretien.

## Chargement du bloc-piles (Fig. C)

1. Branchez le chargeur dans la prise appropriée avant d'y insérer le bloc-piles.

Fig. C



2. Insérer le bloc-piles **18** dans le chargeur, en vous assurant qu'il y est correctement calé. Le voyant rouge (charge) clignotera de façon continue indiquant que le cycle de chargement a commencé.
3. En fin de charge, le voyant rouge restera ALLUMÉ de façon continue. Le bloc-piles est alors complètement rechargé et peut être utilisé ou laissé dans le chargeur.

Pour retirer le bloc-piles du chargeur, appuyez sur le bouton de libération du bloc-piles **19** sur le bloc-piles.

**REMARQUE :** pour assurer des performances optimales et une durée de vie maximale des blocs-piles au lithium-ion, recharger pleinement le bloc-piles avant toute utilisation initiale.

## Utilisation du chargeur

Reportez-vous aux indications du tableau ci-dessous pour consulter le statut de charge du bloc-piles.

DCB107, DCB112, DCB113, DCB115, DCB118, DCB132			
	Bloc-piles en Cours de Chargement		
	Bloc-piles Chargé		
	Suspension de Charge Contre le Chaud/Froid*		

**\*DCB107, DCB112, DCB113, DCB115, DCB118, DCB132:** le voyant rouge ne cessera de clignoter, mais un voyant jaune restera allumé pendant cette opération. Lorsque le bloc-piles aura repris une température appropriée, le voyant jaune s'éteindra et le chargeur reprendra sa procédure de charge.

Le chargeur ne pourront recharger des blocs-piles défectueux. Le chargeur indiquera qu'un bloc-piles est défectueux en refusant de s'allumer ou en affichant bloc-piles ou chargeur défectueux.

**REMARQUE :** cela pourra aussi indiquer un problème avec le chargeur.

Si le problème provient du chargeur, faites vérifier le chargeur et le bloc-piles chez un centre de réparation agréé.

## Fonction de suspension de charge contre le chaud/ froid

Lorsque le chargeur détecte un bloc-piles trop chaud ou trop froid, il démarre automatiquement la fonction de suspension de charge contre le chaud, suspendant le chargement jusqu'à ce que le bloc-piles ait repris une température appropriée. Le chargeur ensuite se remettra automatiquement en mode de chargement. Cette caractéristique assure aux blocs-piles une durée de vie maximale.

Un bloc-piles froid se rechargera moins vite qu'un bloc-piles chaud. Le bloc-piles se rechargera à ce rythme plus lent tout au cours du cycle de charge et ne retournera pas à sa vitesse maximale de charge même s'il venait à se réchauffer.

Le chargeur DCB118 est équipé d'un ventilateur interne destiné à refroidir le bloc-piles. Le ventilateur se mettra automatiquement en marche chaque fois que le bloc-piles aura besoin de se refroidir.

N'utilisez jamais le chargeur si le ventilateur ne fonctionne pas correctement ou si ses fentes d'aération sont bloquées. Protégez systématiquement l'intérieur du chargeur de tout objet étranger.

## Système de protection électronique

Les appareils au Li-Ion sont équipés d'un système électronique de protection pour protéger les blocs-piles de toute surcharge, surchauffe ou fuite importante.

## FRANÇAIS

L'appareil s'arrêtera automatiquement dès que le système électronique de protection sera activé. Si c'était le cas, placez le bloc-piles au lithium-ion sur son chargeur jusqu'à ce qu'il soit complètement rechargé.

## Installation murale

### DCB107, DCB112, DCB113, DCB115, DCB118, DCB132

Ces chargeurs ont été conçus pour une installation murale ou pour être posés sur une table ou une surface de travail. Pour une fixation murale, installez le chargeur à proximité d'une prise électrique, et à l'écart de coins ou de toute autre obstruction au passage de l'air. Utilisez l'arrière du chargeur pour marquer l'emplacement des vis de montage sur le mur. Fixez soigneusement le chargeur à l'aide de vis autoforeuses (vendues séparément) d'au moins 25,4 mm (1 po) de long, et de diamètre de tête de 7-9 mm (0,28-0,35 po), que vous visserez dans le bois en laissant une longueur optimale d'environ 5,5 mm (7/32 po) exposée. Alignez les orifices à l'arrière du chargeur sur les vis exposées et insérez à fond ces dernières dans les orifices.

## Instructions d'entretien du chargeur



**AVERTISSEMENT :** *risques de chocs électriques. Débrancher le chargeur de la prise de courant alternatif avant tout entretien. Éliminer toute saleté ou graisse de la surface externe du chargeur à l'aide d'un chiffon ou d'une brosse non métallique douce. N'utiliser ni eau ni aucun nettoyant liquide.*

## Remarques importantes concernant le chargement

1. Pour augmenter la durée de vie du bloc-piles et optimiser son rendement, le recharger à une température ambiante de 18 ° à 24 °C (65 °F à 75 °F). NE PAS recharger le bloc-piles à une température inférieure à + 4,5 °C (+ 40 °F) ou supérieure à + 40 °C (+ 104 °F). C'est important pour prévenir tout dommage sérieux au bloc-piles.
2. Le chargeur et son bloc-piles peuvent devenir chauds au toucher pendant la charge. C'est normal et ne représente en aucun cas une défaillance du produit. Pour faciliter le refroidissement du bloc-piles après utilisation, éviter de laisser le chargeur ou le bloc-piles dans un local où la température ambiante est élevée comme dans un hangar métallique ou une remorque non isolée.
3. Si le bloc-piles ne se recharge pas correctement :
  - a. Vérifier le bon fonctionnement de la prise en y branchant une lampe ou tout autre appareil électrique.
  - b. Vérifier que la prise n'est pas contrôlée par un interrupteur qui coupe le courant lorsqu'on éteint les lumières.
  - c. Déplacer le chargeur et le bloc-piles dans un local où la température ambiante se trouve entre environ 18 ° et 24 °C (65 °F et 75 °F).
  - d. Si le problème persiste, amener l'outil, le bloc-piles et son chargeur dans un centre de réparation local.

4. Recharger le bloc-piles lorsqu'il ne produit plus assez de puissance pour effectuer un travail qu'il faisait facilement auparavant. NE PAS CONTINUER à l'utiliser dans ces conditions. Suivre la procédure de charge. Si nécessaire, il est aussi possible de recharger un bloc-piles partiellement déchargé sans effet nuisible sur le bloc-piles.
5. Les corps étrangers conducteurs tels que (mais pas limité à) poussières de rectification, débris métalliques, laine d'acier, feuilles d'aluminium, ou toute accumulation de particules métalliques doivent être maintenus à distance des orifices du chargeur. Débrancher systématiquement le chargeur lorsque le bloc-piles n'y est pas inséré. Débrancher systématiquement le chargeur avant tout entretien.
6. Ne pas congeler ou immerger le chargeur dans l'eau ou tout autre liquide.

## Recommandations de stockage

1. Le lieu idéal de rangement est un lieu frais et sec, à l'abri de toute lumière solaire directe et de toute température excessive.
2. Pour un stockage prolongé, il est recommandé d'entreposer le bloc-piles pleinement chargé dans un lieu frais et sec, hors du chargeur pour optimiser les résultats.

**REMARQUE :** les blocs-piles ne devraient pas être entreposés complètement déchargés. Il sera nécessaire de recharger le bloc-piles avant réutilisation.

## CONSERVER CES CONSIGNES POUR UTILISATION ULTÉRIEURE

## DESCRIPTION (FIG. A)



**AVERTISSEMENT :** *ne jamais modifier l'outil électrique ni aucun de ses composants, car il y a risques de dommages corporels ou matériels.*

Reportez-vous en Figure A au début de ce manuel pour obtenir la liste complète des composants.

## Usage Prévu

Cet outil à tronçonner a été conçu pour la découpe professionnelle.

**NE PAS** les utiliser en milieu ambiant humide ou en présence de liquides ou de gaz inflammables.

Cet outil à tronçonner est un outil électrique de professionnels.

**NE PAS** le laisser à la portée des enfants. Une supervision est nécessaire auprès de tout utilisateur non expérimenté.

## SPÉCIFICATIONS

DCS690	
Diamètre de la lame	230 mm (9 po)
Diamètre de l'arbre	22,2 mm (7/8 po)
Tr/min	6600

## Bouton de verrouillage (Fig. A)

La scie à béton est dotée d'un bouton de verrouillage **3**. Pour verrouiller la gâchette en position ouverte (« OFF »), poussez le bouton de verrouillage du côté gauche de l'outil. Pour la déverrouiller, poussez le bouton de verrouillage du côté droit de l'outil.

## ASSEMBLAGE ET AJUSTEMENTS

**AVERTISSEMENT :** pour réduire le risque de blessures graves, éteindre l'outil et retirer le bloc-piles avant d'effectuer tout réglage et d'enlever ou d'installer tout accessoire. S'assurer que la gâchette est en position ouverte (« OFF »). Un démarrage accidentel peut provoquer des blessures.

## Bouton de verrouillage de la tige (Fig. A)

Le bouton de verrouillage du fuseau **13** sert à verrouiller la vis de l'arbre **11** lorsque vous changez les accessoires.

1. Pour enclencher le bouton de verrouillage du fuseau, déposez le bloc-piles et assurez-vous que la gâchette est en position ouverte (« OFF ») et le bouton de verrouillage, enclenché.
2. Abaissez le bouton de verrouillage du fuseau. Tournez la meule et le fuseau jusqu'à ce que le bouton de verrouillage s'enclenche dans le fuseau.
3. Utilisez la clé fournie **6** pour dévisser la vis de l'arbre **11** et déposez ou assemblez les accessoires. Les filets du fuseau sont pour le vissage à droite.

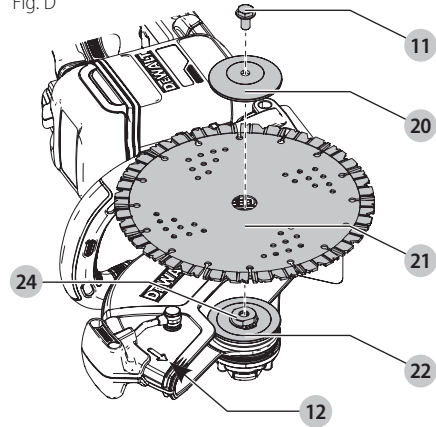
## Montage de meules abrasives et diamantées (Fig. A, D)

**AVERTISSEMENT :** installer uniquement une seule lame.

1. Déposez l'appareil sur une surface solide avec la vis de l'arbre **11** orientée vers le haut.
  2. Utilisez la clé ouverte de 13 mm (1/2 po) fournie **6** (rangée dans le compartiment de la pile), déposez la vis de l'arbre **11**, la rondelle de serrage extérieure **20** et la vieille meule **21**, le cas échéant. Empêchez la vis de l'arbre **11** de tourner avec le bouton de verrouillage du fuseau **13**. Les filets du fuseau sont pour le vissage à droite.
  3. La rondelle de serrage intérieure **22** demeure en place grâce à un arbre double D et une bague de retenue.
  4. Glissez la meule sur le fuseau **24**. Insérez la rondelle de serrage extérieure. Commencez à visser la vis de l'arbre qui s'alignera automatiquement avec la rondelle de serrage extérieure.
- IMPORTANT :** Assurez-vous d'insérer la lame diamantée dans la bonne direction, comme indiqué par la indicateur de rotation de lame **12**.
5. Enclenchez le bouton de verrouillage du fuseau et serrez solidement la vis avec la clé. Ne serrez pas trop la vis de l'arbre.
  6. Tournez la meule à la main pour vérifier si elle est bien centrée. Elle ne doit pas frapper le sabot ou le protecteur. La vis et les collets doivent être serrés.

**ATTENTION :** avec cet outil, utilisez uniquement une meule de type 1/41 de 230 mm (9 po) de diamètre avec un alésage de 22,2 mm (7/8 po). Ne jamais forcer l'insertion d'une meule sur l'appareil ni de modifier le diamètre de l'alésage.

Fig. D



## Remplacement des rondelles de serrage usées (Fig. D)

**AVERTISSEMENT :** remplacer les rondelles de serrage au fur et à mesure qu'elles s'usent. Après un usage prolongé, elles peuvent devenir tranchantes.

1. Retirez la vis de l'arbre **11**, la rondelle de serrage extérieure **20** et la vieille meule **21** s'il y en a déjà une installée comme décrit dans la section **Montage de meules abrasives et diamantées**.
2. Pour déposer la rondelle de serrage intérieure **22**, déposez d'abord la bague de retenue qui maintient cette rondelle sur l'arbre double D.
3. Déposez la rondelle de serrage intérieure et remplacez-la par une neuve. Insérez la section centrale déportée de la rondelle de serrage intérieure en direction de la lame. Assurez-vous que la rondelle de serrage intérieure neuve est solidement fixée avec la bague de retenue.
4. Insérez la meule **21**, la rondelle de serrage extérieure neuve **20** et la vis de l'arbre **11** comme décrit dans la section **Montage de meules abrasives et diamantées**.

## Réglage de l'angle du protecteur (Fig. E)

**AVERTISSEMENT :** en cours de découpe, ne pas utiliser la poignée de pivotement du protecteur pour tenir l'outil. Elle sert uniquement à ajuster le protecteur lorsque l'outil est à l'arrêt.

**ATTENTION :** le protecteur peut être chaud. Utiliser la poignée du protecteur pour le faire tourner.

**AVERTISSEMENT :** s'assurer que le protecteur est correctement enclenché avant de démarrer la machine.

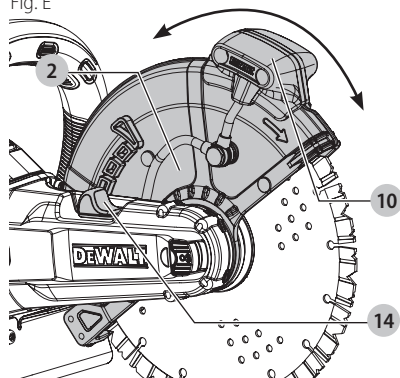
Vous pouvez régler l'angle du protecteur.

1. Pour ce faire, tirez sur le levier de dégagement du pivotement du protecteur **14** vers l'arrière et maintenez la position.

## FRANÇAIS

- Saisissez solidement le protecteur **2** par la poignée de pivotement du protecteur **10** et tournez à l'angle souhaité.
- Relâchez le levier de dégagement du pivotement du protecteur et assurez-vous qu'il est bien enclenché, verrouillant le protecteur en position. Si le levier de dégagement du pivotement du protecteur ne s'enclenche pas, faites pivoter le protecteur jusqu'à ce que le levier revienne en position de verrouillage.

Fig. E

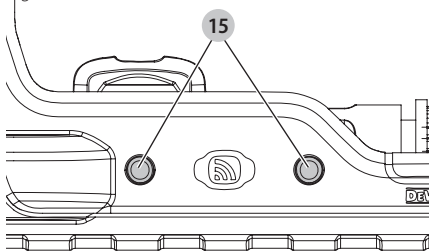


## Balise prête à utiliser de l'outil DEWALT (Fig. F)

### Accessoire optionnel

La scie à béton vient avec des trous **15** et des fixations de montage pour l'installation de la balise de l'outil DEWALT. Vous aurez besoin d'une pointe de tournevis T15 pour installer la balise. La balise de l'outil DEWALT est conçue pour suivre et localiser les outils électriques, l'équipement et les machines professionnels utilisant l'application DEWALT Tool Connect<sup>MD</sup>. Pour une installation appropriée de la balise de l'outil DEWALT, consultez le guide de la balise de l'outil DEWALT.

Fig. F



## UTILISATION

- AVERTISSEMENT** : pour réduire le risque de blessures graves, éteindre l'outil et retirer le bloc-piles avant d'effectuer tout réglage et d'enlever ou d'installer tout accessoire. S'assurer que la gâchette est en position ouverte (« OFF »). Un démarrage accidentel peut provoquer des blessures.

## Installation et retrait du bloc-piles (Fig. G)

**REMARQUE** : pour des résultats optimaux, s'assurer que le bloc-piles est complètement chargé. Avec cette scie à béton, utilisez uniquement les bloc-piles FLEXVOLT<sup>MD</sup> de DEWALT.

Déverrouillez la porte du compartiment du bloc-piles **5** en rabattant le loquet **4** et ouvrez le compartiment comme illustré la Figure G.

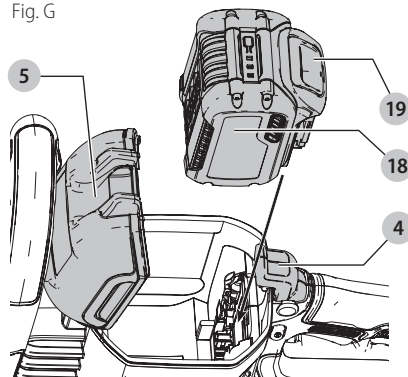
Pour installer le bloc-piles **18** dans l'outil, alignez-le avec les glissières à l'intérieur de l'outil et glissez-le jusqu'à ce qu'il soit bien inséré. Assurez-vous qu'il ne se dégage pas.

Fermez la porte du bloc-piles **5** et abaissez le loquet **4** vers l'avant de l'outil pour verrouiller la porte.

Pour retirer le bloc-piles de l'outil, déverrouillez et ouvrez la porte du compartiment du bloc-piles. Appuyez ensuite sur le bouton de dégagement du bloc-piles **19** et tirez le bloc-piles fermement hors de l'outil. Insérez-le dans le chargeur tel que décrit dans la section **Chargement du bloc-piles**.

Ne laissez pas la porte du compartiment du bloc-piles ouverte.

Fig. G

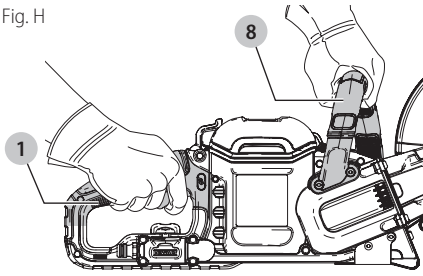


## Position correcte des mains (Fig. H)

- AVERTISSEMENT** : pour réduire tout risque de dommages corporels graves, adopter **SYSTÉMATIQUEMENT** la position des mains illustrée.
- AVERTISSEMENT** : pour réduire tout risque de dommages corporels graves, maintenir **SYSTÉMATIQUEMENT** l'outil fermement pour anticiper toute réaction soudaine.
- AVERTISSEMENT** : ne jamais utiliser la scie à béton d'une seule main. Toujours saisir solidement la scie à béton des deux mains.
- AVERTISSEMENT** : s'assurer que les poignées et les prises de la machine à tronçonner sont solides, sans humidité ni trace de graisse.

Autant pour les droitiers que pour les gauchers, saisissez la poignée arrière **1** de la scie à béton de la main droite et la poignée avant **8**, de la main gauche.

Fig. H



### Témoin à DEL de charge importante (Fig. A)

Le témoin à DEL de charge importante **7** s'allumera pour vous avertir que l'outil est surutilisé. Utiliser l'outil après l'activation de la DEL peut mener à un arrêt de l'outil ou d'une réduction de la durée de son fonctionnement.

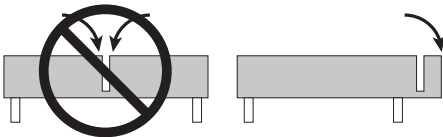
### Réduction du risque de rebond (Fig. I)

**AVERTISSEMENT** : il est possible d'avoir à tout moment des forces réactives lorsque la meule de tronçonnage est en rotation.

**AVERTISSEMENT** : pour réduire le risque de rebonds et lorsque possible, éviter de découper avec le quadrant supérieur de la meule de tronçonnage. Être très attentif. La meule de tronçonnage risque de se coincer ou d'être pincée dans cette zone; ce qui à son tour peut provoquer de graves forces réactives menant au rebond.

- Soyez aux aguets de tout mouvement potentiel qui peut entraîner la fermeture de l'entaille dans le matériau et de coincer la meule de tronçonnage.
- Un matériau bien soutenu maintiendra l'entaille ouverte au cours de la découpe. S'il est impossible de bien soutenir le matériau, n'utilisez pas une machine à tronçonner pour la découpe.

Fig. I



- Soutenez toujours les tuyaux exposés sur le sol pour les stabiliser et prendre le poids en charge. Soutenez mieux la section près de la découpe pour empêcher le tuyau de s'affaisser et de coincer la meule de tronçonnage.
- Un matériau sous pression peut bouger en cours de découpe. Une assise irrégulière de tuyau peut exercer une tension.
- Assurez-vous également que la section découpée du matériau soit aussi soutenue. Après la première découpe, vous devrez éventuellement déplacer les supports ou en rajouter pour vous assurer que le matériau est uniformément soutenu.
- Soyez conscient des aires de travail qui peuvent bouger ou glisser; cela peut faire bouger les supports.

### Découpe avec une scie à tronçonner

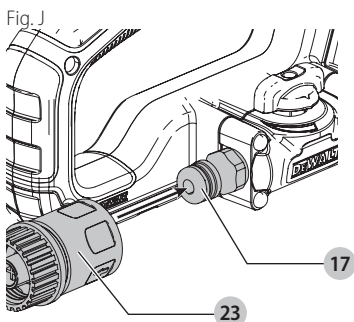
- ATTENTION** : saisir fermement l'outil des deux mains avant de le soulever et d'essayer de le démarrer.
- AVERTISSEMENT** : la scie à béton n'est pas conçue pour poncer une surface ou toute autre application qui exige une charge latérale de la lame.
- AVERTISSEMENT** : le meulage d'arêtes peut s'effectuer uniquement avec des meules à cet effet. Se protéger lors du meulage d'arêtes en orientant la partie ouverte du protecteur loin du corps.
- AVERTISSEMENT** : les meules utilisées pour la découpe peuvent se briser ou rebondir si elles se plient ou se tordent pendant que l'outil est utilisé pour la coupe.
- AVERTISSEMENT** : toujours être attentif aux forces gyroscopiques produites par une meule de tronçonnage à haute vitesse. Le déplacement latéral de la machine à tronçonner peut générer une force gyroscopique, provoquant un changement de direction perpendiculaire inattendu.

### Méthode de coupe à l'eau (Fig. A, J, K)

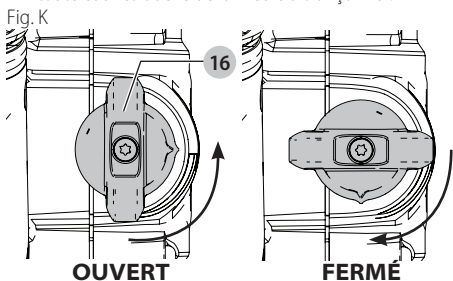
- ATTENTION** : avant d'utiliser de l'eau, fermer la porte du compartiment du bloc-piles et enclencher solidement le loquet.
- ATTENTION** : ne jamais utiliser la scie à béton au-dessus de la tête. Avec de l'eau, se restreindre au plan horizontal pour réduire le risque de pénétration d'eau dans l'outil.
- AVERTISSEMENT** : utiliser exclusivement la méthode de coupe à l'eau avec une lame diamantée.
- AVERTISSEMENT** : le débit recommandé est d'au moins 600 ml liquide (20 oz) par minute. Une coupe avec un débit moindre que celui recommandé ou pendant plus de deux heures consécutives exige le port d'une protection respiratoire approuvée par NIOSH/OSHA pour l'opérateur et tout passant.
- AVERTISSEMENT** : ne pas excéder une pression d'alimentation en eau de 4,1 bar (60 psi).
- AVERTISSEMENT** : s'assurer que l'eau ne coule pas sur la meule abrasive lorsque la machine à tronçonner n'est pas utilisée. La meule à tronçonner absorbera l'eau qui déséquilibrera la machine.
- AVIS** : avant d'utiliser la méthode de coupe à l'eau, s'assurer que l'eau n'endommagera pas le matériau à couper ou se qui se trouve dans les parages.

### Fixation de l'admission d'eau

1. Fixez l'admission d'eau au connecteur à raccordement rapide d'eau **23**.
2. Fixez le connecteur à raccordement rapide à l'orifice d'admission d'eau **17**.



3. Pour régler le débit, tournez lentement le robinet d'eau **16** vers la position ouverte jusqu'à atteindre le bon débit comme illustré à la Figure K. Pour fermer le débit d'eau, fermez le robinet.
4. Procédez à la coupe comme décrit à la section **Faire une coupe** ci-dessous.
5. À la fin des coupes, faites fonctionner la machine entre trois et cinq secondes avec l'eau fermée pour éliminer toute eau résiduelle de la meule à tronçonner.



#### Dépose de l'admission d'eau

1. Fermez l'alimentation en eau et dépressurisez le système.
2. Assurez-vous que la gâchette **2** est ouverte (« OFF ») et le bouton de verrouillage **3**, enclenché.
3. Fermez le robinet d'eau **16**.
4. Débranchez le connecteur à raccordement rapide **23** à l'orifice d'admission d'eau **17**.

#### Faire une coupe

**⚠ AVERTISSEMENT :** toujours s'assurer de la présence du protecteur et qu'il est correctement réglé pour le type de coupe prévu.

**⚠ AVERTISSEMENT :** toujours utiliser la machine à tronçonner de façon à ce que l'opérateur et les passants sont protégés, le cas échéant, des particules aéroportées du matériau découpé, des étincelles ou des morceaux de meules à tronçonner endommagés.

**⚠ DANGER :** pour réduire le risque de blessure graves ou mortelle, **NE PAS** changer de direction au cours de la coupe. Un changement de direction peut générer une force de torsion importante sur la meule à tronçonner et la coincer ou la briser.

**⚠ ATTENTION :** porter des gants en coupant du métal.

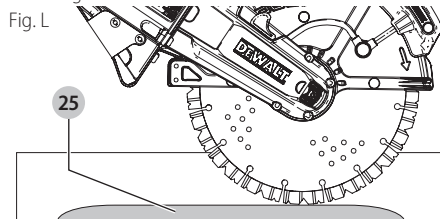
1. Tracez une ligne de coupe sur le matériau à couper.
2. Saisissez fermement les poignées arrière **1** et avant **8**.
3. Alignez la meule avec la ligne de coupe. Assurez-vous qu'il n'y ait aucun objet près de la meule ou aligné avec celle-ci.
4. Appuyez et maintenez la gâchette **2**. Attendez que la lame tourne à plein régime puis engagez lentement la meule sur le matériau d'une pression ferme, avançant sur la ligne de coupe. Ne forcez pas l'outil. Ne coupez que la profondeur nécessaire pour réduire la production de poussières. Maintenez la meule à plein régime pour optimiser l'efficacité et la durée de vie. Pour conserver la maîtrise de la machine à tronçonner, relâchez la pression lorsque vous arrivez en bout de coupe.
5. Pour arrêter l'outil, relâchez la gâchette **2**.
6. Mettez le bouton de verrouillage **3** en position de blocage et assurez-vous que la meule à tronçonner est complètement immobile avant de poser la machine sur une surface.

**REMARQUE :** Coupez un matériau plus dense et épais en plusieurs passages. Ne dépassez pas 25,4 mm (1 po) de profondeur à chaque passage.

#### Coupe de dalles (Fig. L, M)

**⚠ AVERTISSEMENT :** avant toute coupe, s'assurer que la dalle est solidement fixée sur une surface antidérapante.

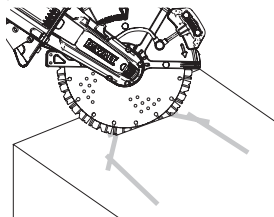
1. Coupez une rainure de guidage le long d'une ligne de coupe dessinée.
2. Coupez la dalle plus profondément sans toutefois excéder la profondeur maximum de 3,25 po (83 mm). Laissez une saillie de matériau intact **25** comme illustré à la Figure L.



3. Coupez la dalle d'une extrémité à l'autre pour ne pas ébrécher la dalle.
4. Brisez la dalle à cet endroit.

**REMARQUE :** Les coupes courbes dans une dalle doivent être effectuées par plusieurs tracés de lignes droites, comme illustré à la Figure M tout en évitant de coincer la meule à tronçonner.

Fig. M





### Coupe de tuyau (Fig. N, O)

**⚠ AVERTISSEMENT :** avant toute coupe, s'assurer que le tuyau est solidement fixé sur une surface antidérapante.

**⚠ AVERTISSEMENT :** le tuyau risque de briser à tout moment au cours de la coupe. Être attentif : conserver la maîtrise de l'outil et éviter les débris qui tombent.

#### Si le diamètre externe du tuyau est plus petit que la profondeur maximum de coupe

- Coupez directement vers le bas en un seul passage, du haut du tuyau vers le bas.

#### Si le diamètre externe du tuyau est plus grand que la profondeur maximum de coupe

Il faut plus d'un passage pour le tuyau de grand diamètre. Il est important de respecter la bonne séquence des coupes.

#### Si le tuyau est en terre et ne peut pas être roulé : procédez à la séquence de coupe suivante :

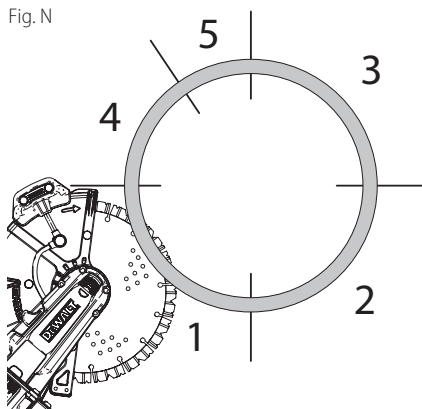
1. Coupez une rainure de guidage le long d'une ligne de coupe. Évitez toute section renforcée, si possible.
2. Commencez au bas du tuyau et utilisez uniquement la partie avant et supérieure de la meule à tronçonner. Cette séquence réduira le risque de rebonds ou de pincements.
3. Seulement avec la partie avant et supérieure de la meule à tronçonner, coupez le côté inférieur, opposé du tuyau.
4. Effectuez une coupe latérale sur la moitié supérieure du tuyau.
5. Effectuez une deuxième coupe latérale du côté opposé de la moitié supérieure du tuyau.

**IMPORTANT :** Pour empêcher le tuyau de coincer la meule à tronçonner, assurez-vous de ne pas couper dans la zone de la dernière coupe.

6. Assurez-vous que les coupes supérieures et inférieures sont terminées avant d'amorcer la dernière coupe supérieure.

**IMPORTANT :** Effectuez toujours la dernière coupe à partir du haut du tuyau. Si le tuyau est bien appuyé, cela réduira le risque de coincer la meule à tronçonner. En cas de coincement, la partie inférieure de la meule à tronçonner sera bloquée ce qui l'éloignera de la pièce sans toutefois produire de rebonds.

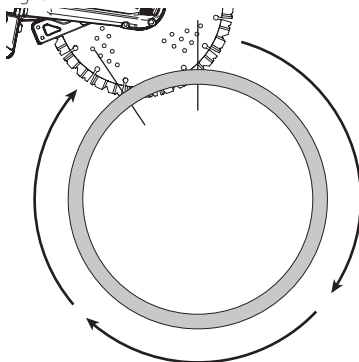
Fig. N



#### Si le tuyau est dégagé et peut être roulé : procédez à la séquence de coupe suivante :

1. Fixez solidement le tuyau sur une surface antidérapante.
2. Seulement avec la partie inférieure de la meule à tronçonner, coupez la section supérieure du tuyau.
3. Faites rouler le tuyau et répétez les étapes 1 et 2 jusqu'à terminer la coupe.

Fig. O



### Coupe d'une encoche dans un tuyau de béton (Fig. P)

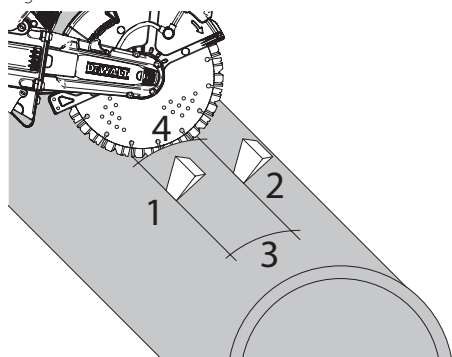
**⚠ AVERTISSEMENT :** avant toute coupe, s'assurer que le tuyau est solidement fixé sur une surface antidérapante.

Il faut plus d'un passage pour découper une encoche dans un tuyau de béton. Il est important de respecter la bonne séquence de coupe.

1. Effectuez d'abord deux coupes le long du tuyau. Procédez toujours à une coupe axiale pour éviter de coincer la meule à tronçonner.
2. Insérez des cales dans les coupes.
3. Procédez à la troisième et quatrième coupe pour terminer l'encoche.
4. Si la partie sectionnée reste en place après les quatre coupes, interrompez le travail. Brisez la partie sectionnée.

## FRANÇAIS

Fig. P



## Applications

**AVERTISSEMENT :** ne JAMAIS utiliser l'outil pour couper des pièces de magnésium, car les particules de magnésium peuvent s'enflammer et entraîner des risques de blessure.

- Tôle mince de 3 mm (1/8 po) max.
- Béton, blocs en béton de laitier et briques
- Tuiles (terracotta ou semblables)
- Pierres ou pavé pour bordure
- Asphalte
- Tige renforcée; habituellement moins de 25,4 mm (1 po) de diamètre
- Treillis métallique pour béton armé de 3 mm (1/8 po) diamètre
- Coffrage ondulé pour plancher et plafond (coffrage pour béton)
- Conduites électriques pour murs de 3 mm (1/8 po) d'épaisseur
- Charpentes de 3 mm (1/8 po) d'épaisseur maximale (canaux, cornières, plaques, etc.)

**REMARQUE :** La coupe de matériaux plus lourds que ceux indiqués ci-dessus n'est pas recommandée, car cela risque d'endommager l'outil.

## MAINTENANCE

**AVERTISSEMENT :** pour réduire le risque de blessures graves, éteindre l'outil et retirer le bloc-piles avant d'effectuer tout réglage et d'enlever ou d'installer tout accessoire. S'assurer que la gâchette est en position ouverte (« OFF »). Un démarrage accidentel peut provoquer des blessures.

## Programme d'entretien

	Avant utilisation	Quotidien/après utilisation
Nettoyer la machine		X
Vérifier/nettoyer les poignées	X	
Vérifier le port d'admission		X
Vérifier le bloc-piles	X	
Vérifier le compartiment du bloc-piles	X	
Vérifier l'admission d'eau	X	
Vérifier la meule à tronçonner	X	
Vérifier la plaque de guidage		X

## Nettoyage

**AVERTISSEMENT :** enlever les saletés et la poussière hors des événements au moyen d'air comprimé propre et sec, au moins une fois par semaine. Pour minimiser le risque de blessure aux yeux, toujours porter une protection oculaire conforme à la norme ANSI Z87.1 lors du nettoyage.

**AVERTISSEMENT :** ne jamais utiliser de solvants ni d'autres produits chimiques puissants pour nettoyer les pièces non métalliques de l'outil. Ces produits chimiques peuvent affaiblir les matériaux de plastique utilisés dans ces pièces. Utiliser un chiffon humecté uniquement d'eau et de savon doux. Ne jamais laisser de liquide pénétrer dans l'outil et n'immerger aucune partie de l'outil dans un liquide.

**AVERTISSEMENT :** ne pas utiliser de l'eau sous pression pour nettoyer la machine, car l'eau risque d'endommager les pièces.

## Accessoires

**AVERTISSEMENT :** puisque les accessoires autres que ceux offerts par DEWALT n'ont pas été testés avec ce produit, leur utilisation pourrait s'avérer dangereuse. Pour réduire le risque de blessures, utiliser exclusivement les accessoires DEWALT recommandés avec le présent produit.

**AVERTISSEMENT :** la vitesse des accessoires doit correspondre à la vitesse minimale recommandée indiquée sur l'étiquette d'avertissement de l'outil, car les meules et autres accessoires qui sont réglés à une vitesse trop élevée peuvent se détacher et être projetés, ce qui risque d'occasionner des blessures. La vitesse nominale d'un accessoire doit toujours être supérieure à celle de l'outil indiquée sur la plaque signalétique de celui-ci.

**AVERTISSEMENT :** manier et entreposer les meules abrasives soigneusement pour prévenir tout dommage résultant de chocs thermiques, de la chaleur, de dommages mécaniques, etc. Les entreposer dans un endroit sec, à l'abri de toute humidité excessive, du gel ou de changements extrêmes de température.

Les accessoires recommandés pour cet outil sont vendus séparément au centre de service de votre région. Pour obtenir de l'aide concernant l'achat d'un accessoire, communiquer avec DeWALT Industrial Tool Co., 701 East Joppa Road, Towson, MD 21286 aux États-Unis; composer le 1 800 433-9258 (1 800 4-DeWALT) ou visiter notre site Web : [www.dewalt.com](http://www.dewalt.com).

## Réparations

Le chargeur et le bloc-piles ne sont pas réparables.



**AVERTISSEMENT :** pour assurer la **SÉCURITÉ** et la **FIABILITÉ** du produit, les réparations, l'entretien et les réglages doivent être réalisés (cela comprend l'inspection et le remplacement du balai, le cas échéant) par un centre de réparation en usine DeWALT ou un centre de réparation agréé DeWALT. Toujours utiliser des pièces de rechange identiques.

## Registre en ligne

Merci pour votre achat. Enregistrez dès maintenant votre produit :

- **RÉPARATIONS SOUS GARANTIE :** cette carte remplie vous permettra de vous prévaloir du service de réparations sous garantie de façon plus efficace dans le cas d'un problème avec le produit.
- **CONFIRMATION DE PROPRIÉTÉ :** en cas de perte provoquée par un incendie, une inondation ou un vol, cette preuve de propriété vous servira de preuve auprès de votre compagnie d'assurances.
- **SÉCURITÉ :** l'enregistrement de votre produit nous permettra de communiquer avec vous dans l'éventualité peu probable de l'envoi d'un avis de sécurité régi par la loi fédérale américaine de la protection des consommateurs.

Registre en ligne à [www.dewalt.com/register](http://www.dewalt.com/register).

## Garantie limitée de trois ans

DeWALT réparera, sans frais, tout produit défectueux causé par un défaut de matériel ou de fabrication pour une période de trois ans à compter de la date d'achat. La présente garantie ne couvre pas les pièces dont la défectuosité a été causée par une usure normale ou l'usage abusif de l'outil. Pour obtenir de plus amples renseignements sur les pièces ou les réparations couvertes par la présente garantie, visiter le site [www.dewalt.com](http://www.dewalt.com) ou composer le 1 800 433-9258 (1 800 4-DeWALT). CETTE GARANTIE LIMITÉE REMPLACE TOUTE AUTRE GARANTIE, Y COMPRIS TOUTE GARANTIE IMPLICITE DE QUALITÉ MARCHANDE OU DE CONFORMITÉ À DES FINS PARTICULIÈRES, ET EXCLUT TOUT DOMMAGE ACCESSOIRE OU INDIRECT. Certains états n'autorisent aucune limitation quant à la durée d'une garantie implicite ni aucune exclusion ou limitation de garantie contre tout préjudice accessoire ou indirect, aussi il se peut que ces exclusions ne vous soient pas applicables. Cette garantie confère des droits légaux particuliers à l'acheteur, mais celui-ci pourrait aussi bénéficier d'autres droits variant d'un territoire à l'autre.

En plus de la présente garantie, les outils DeWALT sont couverts par notre :

### CONTRAT D'ENTRETIEN GRATUIT D'UN AN

DeWALT entretiendra l'outil et remplacera les pièces usées au cours d'une utilisation normale et ce, gratuitement, pendant une période d'un an à compter de la date d'achat.

### CONTRAT D'ENTRETIEN GRATUIT DE DEUX ANS SUR LES BLOC-PILES DeWALT

DC9071, DC9091, DC9096, DC9182, DC9280, DC9360, DCB120, DCB127, DCB201, DCB203, DCB203BT, DCB207, DCB361

### CONTRAT D'ENTRETIEN GRATUIT DE TROIS ANS SUR LES BLOC-PILES DeWALT

DCB200, DCB204, DCB204BT, DCB205, DCB205BT, DCB206, DCB606, DCB609

**REMARQUE :** La garantie de ce produit sera annulée si le bloc-piles a été altéré de quelque façon que ce soit. DeWALT ne peut être tenu responsable de tout dommage corporel causé par l'altération du produit et pourra poursuivre toute fraude en matière de garantie dans toute l'étendue permise par la loi.

### GARANTIE DE REMBOURSEMENT DE 90 JOURS

Si l'acheteur n'est pas entièrement satisfait, pour quelque raison que ce soit, du rendement de l'outil électrique, du laser ou de la cloueuse DeWALT, celui-ci peut le retourner, accompagné d'un reçu, dans les 90 jours à compter de la date d'achat pour obtenir un remboursement intégral, sans aucun problème.

**AMÉRIQUE LATINE :** cette garantie ne s'applique aux produits vendus en Amérique latine. Pour ceux-ci, veuillez consulter les informations relatives à la garantie spécifique présente dans l'emballage, appeler l'entreprise locale ou consulter le site Web pour les informations relatives à cette garantie.

### REMPLACEMENT GRATUIT DES ÉTIQUETTES

**D'AVERTISSEMENT :** si les étiquettes d'avertissement deviennent illisibles ou sont manquantes, composer le 1 800 433-9258 (1 800 4-DeWALT) pour en obtenir le remplacement gratuit.

## DÉPANNAGE

## ASSUREZ-VOUS DE SUIVRE LES RÈGLES DE SÉCURITÉ ET LES INSTRUCTIONS

Pour obtenir de l'aide au sujet du produit, visitez notre site Web au [www.dewalt.com](http://www.dewalt.com) pour une liste des centres de services ou téléphonez DeWALT au 1-800-4-DeWALT (1-800-433-9258).

PROBLÈME	CAUSE POSSIBLE	SOLUTION
La machine ne démarre pas.	Le bloc-piles n'est pas bien installé.	Vérifiez l'installation du bloc-piles.
	Le bloc-piles n'est pas chargé.	Vérifiez les exigences de recharge du bloc-piles.
	Le bloc-piles est trop chaud ou trop froid.	Laissez le bloc-piles refroidir ou se réchauffer.
	Les composantes internes sont trop chaudes.	Laissez la machine se refroidir.
La machine s'éteint brusquement.	Le bloc-piles a atteint sa limite thermique maximum.	Laissez refroidir le bloc-piles.
	Bloc-piles à plat. <b>(Pour maximiser la vie du bloc-piles, l'outil est conçu pour s'éteindre brusquement lorsque la charge baisse.)</b>	Placez-le sur le chargeur et laissez-le se recharger.
Durée de fonctionnement réduite.	Le bloc-piles n'est pas complètement chargé.	Recharger le bloc-piles.
	La durée de vie maximum du bloc-piles est atteinte.	Remplacez avec un bloc-pile FLEXVOLT™ de DeWALT.
Le bloc-piles ne se recharge pas.	Le bloc-piles n'est pas inséré dans le chargeur.	Insérez le bloc-piles dans le chargeur jusqu'à ce que le voyant DEL s'allume.
	Le chargeur n'est pas branché.	Branchez le chargeur dans une prise qui fonctionne. Consultez <b>Remarques importantes concernant le chargement</b> pour de plus amples détails.
	La température de l'air ambiant est trop chaude ou trop froide.	Déplacez le chargeur et le bloc-piles dans une température de l'air ambiant d'environ 18 °C à 24 °C (65 F° à 75 °F).
Rebords effilochés ou déchirures dans la meule à tronçonner.	La meule à tronçonner vacille.	Remplacez-la par une meule à tronçonner neuve.
	La meule à tronçonner est émoussée.	Remplacez-la par une meule à tronçonner neuve.
	Accumulation de débris sur les bords de la meule à tronçonner.	Dressez la meule à tronçonner en coupant rapidement dans une matière abrasive.
La meule à tronçonner ne reste pas sur la ligne de couple.	La meule à tronçonner vacille.	Remplacez-la par une meule à tronçonner neuve.
	La meule à tronçonner est émoussée.	Remplacez-la par une meule à tronçonner neuve.
	La meule à tronçonner est mal installée.	Montez correctement la meule à tronçonner. Consultez la section <b>Montage de meules abrasives et diamantées.</b>
Présence d'usure sur le côté de la meule à tronçonner.	Ponçage de surface.	N'effectuez pas de ponçage de surface avec la meule à tronçonner.
Performance ou capacité de coupe réduite.	La meule à tronçonner est émoussée.	Remplacez-la par une meule à tronçonner neuve.
	Accumulation de débris sur les bords de la meule à tronçonner avec la coupe de pierres.	Dressez la meule à tronçonner pour pierres en coupant rapidement dans une matière abrasive. Utilisez une meule à tronçonner neuve pour couper l'asphalte.
	La meule à tronçonner est mal installée.	Montez correctement la meule à tronçonner. Consultez la section <b>Montage de meules abrasives et diamantées.</b>
	Coupe de matière pour laquelle la meule à tronçonner n'est pas classée.	Utilisez le bon type de meule à tronçonner.
Présence d'éclats ou de fissures au noyau de la meule.	Surcharge.	Remplacez-la par une meule à tronçonner neuve.
Production d'étincelles.	Accumulation de débris sur les bords de la meule à tronçonner avec la coupe de pierres.	Dressez la meule à tronçonner pour pierres en coupant rapidement dans une matière abrasive. Utilisez une meule à tronçonner neuve pour couper l'asphalte.
Témoin à DEL de charge importante allumé.	Trop de pression sur l'outil.	Réduisez la pression.

## Definiciones: Símbolos y palabras de alerta de seguridad

Este manual de instrucciones utiliza los siguientes símbolos y palabras de alerta de seguridad para alertarle de situaciones peligrosas y del riesgo de lesiones corporales o daños materiales.



**PELIGRO:** Indica una situación de peligro inminente que, si no se evita, provocará **la muerte o lesiones graves**.



**ADVERTENCIA:** Indica una situación de peligro potencial que, si no se evita, **podría provocar la muerte o lesiones graves**.



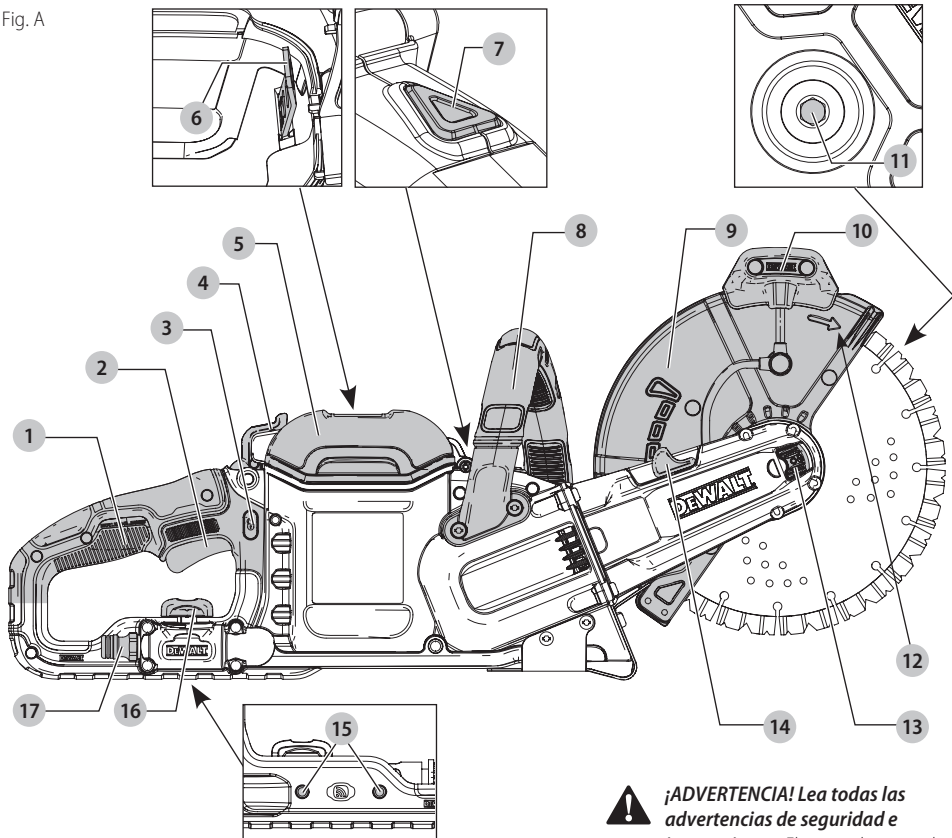
**ATENCIÓN:** Indica una situación de peligro potencial que, si no se evita, **posiblemente provocaría lesiones leves o moderadas**.



(Utilizado sin palabras) indica un mensaje de seguridad relacionado.

**AVISO:** Se refiere a una práctica **no relacionada a lesiones corporales** que de no evitarse **puede resultar en daños a la propiedad**.

Fig. A



- |  |  |
|--|--|
| 1 Manija trasera                         | 10 Manija de rotación de protección                |
| 2 Interruptor de gatillo                 | 11 Tornillo de eje                                 |
| 3 Botón de bloqueo de apagado            | 12 Indicador de rotación de cuchilla               |
| 4 Seguro de puerta de batería            | 13 Botón de bloqueo de husillo                     |
| 5 Puerta de batería                      | 14 Palanca de liberación de rotación de protección |
| 6 Llave de 13 mm (1/2") y almacenamiento | 15 Orificios de montaje de etiqueta de herramienta |
| 7 LED de indicador de carga pesada       | 16 Válvula de agua                                 |
| 8 Manija delantera                       | 17 Entrada de agua                                 |



**¡ADVERTENCIA!** Lea todas las advertencias de seguridad e instrucciones. El incumplimiento de las advertencias e instrucciones puede provocar descargas eléctricas, incendios o lesiones graves.



**ADVERTENCIA:** Para reducir el riesgo de lesiones, lea el manual de instrucciones.

Si tiene alguna duda o algún comentario sobre ésta u otra herramienta DEWALT, llámenos al número gratuito: 1-800-4-DEWALT (1-800-433-9258).

## ADVERTENCIAS GENERALES DE SEGURIDAD PARA HERRAMIENTAS ELÉCTRICAS

**⚠ ¡ADVERTENCIA!** Lea todas las advertencias de seguridad e instrucciones. El incumplimiento de las advertencias e instrucciones puede provocar descargas eléctricas, incendios o lesiones graves.

### CONSERVE TODAS LAS ADVERTENCIAS E INSTRUCCIONES PARA FUTURAS CONSULTAS

El término "herramienta eléctrica" incluido en las advertencias hace referencia a las herramientas eléctricas operadas con corriente (con cable eléctrico) o a las herramientas eléctricas operadas con baterías (inalámbricas).

#### 1) Seguridad en el Área de Trabajo

- Mantenga el área de trabajo limpia y bien iluminada.** Las áreas abarrotadas y oscuras propician accidentes.
- No opere las herramientas eléctricas en atmósferas explosivas, como ambientes donde haya polvo, gases o líquidos inflamables.** Las herramientas eléctricas originan chispas que pueden encender el polvo o los vapores.
- Mantenga alejados a los niños y a los espectadores de la herramienta eléctrica en funcionamiento.** Las distracciones pueden provocar la pérdida de control.

#### 2) Seguridad Eléctrica

- Los enchufes de la herramienta eléctrica deben adaptarse al tomacorriente. Nunca modifique el enchufe de ninguna manera. No utilice ningún enchufe adaptador con herramientas eléctricas con conexión a tierra.** Los enchufes no modificados y que se adaptan a los tomacorrientes reducirán el riesgo de descarga eléctrica.
- Evite el contacto corporal con superficies con descargas a tierra como, por ejemplo, tuberías, radiadores, cocinas eléctricas y refrigeradores.** Existe mayor riesgo de descarga eléctrica si su cuerpo está puesto a tierra.
- No exponga las herramientas eléctricas a la lluvia o a condiciones de humedad.** Si entra agua a una herramienta eléctrica, aumentará el riesgo de descarga eléctrica.
- No maltrate el cable. Nunca utilice el cable para transportar, tirar o desenchufar la herramienta eléctrica. Mantenga el cable alejado del calor, el aceite, los bordes filosos y las piezas móviles.** Los cables dañados o enredados aumentan el riesgo de descarga eléctrica.
- Al operar una herramienta eléctrica en el exterior, utilice un cable prolongador adecuado para tal uso.** Utilice un cable adecuado para uso en exteriores a fin de reducir el riesgo de descarga eléctrica.
- Si el uso de una herramienta eléctrica en un lugar húmedo es imposible de evitar, utilice**

**un suministro protegido con un interruptor de circuito por falla a tierra (GFCI).** El uso de un GFCI reduce el riesgo de descargas eléctricas.

#### 3) Seguridad Personal

- Permanezca alerta, controle lo que está haciendo y utilice el sentido común cuando emplee una herramienta eléctrica. No utilice una herramienta eléctrica si está cansado o bajo el efecto de drogas, alcohol o medicamentos.** Un momento de descuido mientras se opera una herramienta eléctrica puede provocar lesiones personales graves.
- Utilice equipos de protección personal. Siempre utilice protección para los ojos.** En las condiciones adecuadas, el uso de equipos de protección, como máscaras para polvo, calzado de seguridad antideslizante, cascos o protección auditiva, reducirá las lesiones personales.
- Evite el encendido por accidente. Asegúrese de que el interruptor esté en la posición de apagado antes de conectarlo a la fuente de energía o paquete de baterías, o antes de levantar o transportar la herramienta.** Transportar herramientas eléctricas con el dedo apoyado en el interruptor o enchufar herramientas eléctricas con el interruptor en la posición de encendido puede propiciar accidentes.
- Retire la clavija de ajuste o la llave de tuercas antes de encender la herramienta eléctrica.** Una llave de tuercas o una clavija de ajuste que quede conectada a una pieza giratoria de la herramienta eléctrica puede provocar lesiones personales.
- No se estire. Conserve el equilibrio y párese adecuadamente en todo momento.** Esto permite un mejor control de la herramienta eléctrica en situaciones inesperadas.
- Use la vestimenta adecuada. No use ropas holgadas ni joyas. Mantenga el cabello, la ropa y los guantes alejados de las piezas en movimiento.** Las ropas holgadas, las joyas o el cabello largo pueden quedar atrapados en las piezas en movimiento.
- Si se suministran dispositivos para la conexión de accesorios con fines de recolección y extracción de polvo, asegúrese de que estén conectados y que se utilicen correctamente.** El uso de dispositivos de recolección de polvo puede reducir los peligros relacionados con el polvo.

#### 4) Uso y Mantenimiento de la Herramienta Eléctrica

- No fuerce la herramienta eléctrica. Utilice la herramienta eléctrica correcta para el trabajo que realizará.** Si se la utiliza a la velocidad para la que fue diseñada, la herramienta eléctrica correcta permite trabajar mejor y de manera más segura.
- No utilice la herramienta eléctrica si no puede encenderla o apagarla con el interruptor.** Toda

herramienta eléctrica que no pueda ser controlada mediante el interruptor es peligrosa y debe repararse.

- c) **Desconecte el enchufe de la fuente de energía o el paquete de baterías de la herramienta eléctrica antes de realizar ajustes, cambiar accesorios o almacenar la herramienta eléctrica.** Estas medidas de seguridad preventivas reducen el riesgo de encender la herramienta eléctrica en forma accidental.
- d) **Guarde la herramienta eléctrica que no esté en uso fuera del alcance de los niños y no permita que otras personas no familiarizadas con ella o con estas instrucciones operen la herramienta.** Las herramientas eléctricas son peligrosas si son operadas por usuarios no capacitados.
- e) **Realice el mantenimiento de las herramientas eléctricas. Revise que no haya piezas en movimiento mal alineadas o trabadas, piezas rotas o cualquier otra situación que pueda afectar el funcionamiento de la herramienta eléctrica. Si encuentra daños, haga reparar la herramienta eléctrica antes de utilizarla.** Se producen muchos accidentes a causa de las herramientas eléctricas que carecen de un mantenimiento adecuado.
- f) **Mantenga las herramientas de corte afiladas y limpias.** Las herramientas de corte con mantenimiento adecuado y con los bordes de corte afilados son menos propensas a trabarse y son más fáciles de controlar.
- g) **Utilice la herramienta eléctrica, los accesorios y las brocas de la herramienta, etc. de acuerdo con estas instrucciones y teniendo en cuenta las condiciones de trabajo y el trabajo que debe realizarse.** El uso de la herramienta eléctrica para operaciones diferentes de aquéllas para las que fue diseñada podría originar una situación peligrosa.

## 5) Uso y Mantenimiento de la Herramienta con Baterías

- a) **Recargue solamente con el cargador especificado por el fabricante.** Un cargador adecuado para un tipo de paquete de baterías puede originar riesgo de incendio si se utiliza con otro paquete de baterías.
- b) **Utilice herramientas eléctricas sólo con paquetes de baterías específicamente diseñados.** El uso de cualquier otro paquete de baterías puede producir riesgo de incendio y lesiones.
- c) **Cuando no utilice el paquete de baterías, manténgalo lejos de otros objetos metálicos como sujetapapeles, monedas, llaves, clavos, tornillos u otros objetos metálicos pequeños que puedan realizar una conexión desde un terminal al otro.** Los cortocircuitos en los terminales de la batería pueden provocar quemaduras o incendio.
- d) **En condiciones abusivas, el líquido puede ser expulsado de la batería. Evite su contacto. Si entra en contacto accidentalmente, enjuague**

**con agua. Si el líquido entra en contacto con los ojos, busque atención médica.** El líquido expulsado de la batería puede provocar irritación o quemaduras.

## 6) Mantenimiento

- a) **Solicite a una persona calificada en reparaciones que realice el mantenimiento de su herramienta eléctrica y que sólo utilice piezas de repuesto idénticas.** Esto garantizará la seguridad de la herramienta eléctrica.

## Instrucciones de seguridad específicas adicionales para máquinas cortadoras

- a) **El protector suministrado con la herramienta debe estar firmemente ajustado a la herramienta eléctrica y posicionado para garantizar la seguridad máxima, de modo que se exponga la menor parte posible del disco hacia el operador. Sitúense tanto usted como los observadores lejos del plano del disco en movimiento.** El protector ayuda a proteger al operador de los fragmentos de discos rotos y del contacto accidental con el disco.
- b) **Utilice únicamente ruedas reforzadas unidas o cuchillas de diamante para su herramienta eléctrica.** El hecho de que un accesorio pueda acoplarse a la herramienta eléctrica no garantiza un funcionamiento sin riesgos.
- c) **La velocidad nominal del accesorio debe ser como mínimo igual a la velocidad máxima marcada en la herramienta eléctrica.** Los accesorios que funcionen a velocidades superiores a su velocidad nominal pueden romperse y salir despedidos.
- d) **Los discos deben utilizarse únicamente para las aplicaciones recomendadas. Por ejemplo, no esmerile con el lado de un disco de corte.** Los discos de corte abrasivos están previstos para el esmerilado periférico, y si se aplican fuerzas laterales a estos discos pueden provocar que se rompan.
- e) **Use siempre bridas de disco no dañadas que tengan el diámetro correcto para el disco seleccionado.** Las bridas de disco apropiadas sirven de soporte para el disco, reduciendo así la posibilidad de rotura del disco.
- f) **No utilice discos reforzados desgastados de herramientas eléctricas más grandes.** Los discos diseñados para una herramienta eléctrica más grande no son adecuados para la mayor velocidad de una herramienta más pequeña y pueden explotar.
- g) **El diámetro externo y el grosor del accesorio deben estar dentro de la capacidad de su herramienta eléctrica.** Los accesorios de tamaños incorrectos no pueden ser protegidos ni controlados adecuadamente.
- h) **El tamaño del husillo de los discos y las bridas debe ajustarse bien al eje de la herramienta eléctrica.** Los discos y las bridas con orificios de

husillo que no se corresponden con los accesorios de montaje de la herramienta eléctrica perderán el equilibrio, vibrarán excesivamente y pueden ocasionar pérdida de control.

- i) **No use discos dañados. Antes de cada uso, inspeccione los discos para comprobar que no estén desportillados o trizados. Si la herramienta o el disco se caen, revise para verificar si hay daños o instale un disco que no esté dañado. Después de inspeccionar e instalar el disco, colóquense usted y las personas presentes alejados del plano del disco en movimiento y ponga la herramienta eléctrica en funcionamiento a la velocidad sin carga máxima durante un minuto.** Si el disco está dañado normalmente se terminará de romper durante este período de prueba.
- j) **Póngase un equipo de protección personal. Dependiendo de la aplicación, use un protector facial y lentes o gafas de seguridad. Si es necesario, póngase una mascarilla antipolvo, protectores para el oído, guantes y un delantal de trabajo que pueda detener pequeños fragmentos abrasivos o de la pieza de trabajo. La protección ocular utilizada debe ser capaz de detener desechos despedidos por las diversas operaciones realizadas con la herramienta. La mascarilla antipolvo o el respirador deben poder filtrar partículas generadas por la operación realizada.** La exposición prolongada a ruidos de alta intensidad puede causar pérdida auditiva.
- k) **Mantenga a las personas que estén cerca a una distancia de seguridad del área de trabajo. Todos los que entren al área de trabajo deben llevar puesto un equipo de protección personal.** Los fragmentos de una pieza de trabajo o de un disco roto pueden salir volando y ocasionar una lesión más allá del área inmediata de operación.
- l) **Sostenga la herramienta eléctrica por las superficies de sujeción aisladas únicamente, cuando realice una operación en la que el accesorio de corte pueda hacer contacto con cableado oculto.** Si el accesorio para cortar entra en contacto con un cable bajo tensión, podrían cargarse las partes metálicas de la herramienta expuestas a la corriente y producir una descarga eléctrica al operador.
- m) **Nunca suelte la herramienta hasta que el accesorio se haya parado por completo.** El disco en movimiento puede aferrarse a la superficie y tirar de la herramienta, haciéndole perder el control de la misma.
- n) **No ponga en funcionamiento la herramienta eléctrica mientras la transporte a su lado.** El contacto accidental con el accesorio que gira podría enganchar su ropa y tirar del accesorio hacia su cuerpo.

- o) **Limpie periódicamente los orificios de ventilación de la herramienta eléctrica.** El ventilador del motor atraerá el polvo dentro de la caja protectora y la acumulación excesiva del metal en polvo puede ocasionar riesgos eléctricos.
- p) **No utilice la herramienta eléctrica cerca de materiales inflamables.** Las chispas podrán prender fuego a estos materiales.

## Rebote y advertencias relacionadas

El rebote es una reacción repentina de un disco en movimiento que queda presionado o se engancha. Al engancharse o quedar presionado, el disco en movimiento se detiene rápidamente y a su vez causa que la herramienta eléctrica no controlada quede forzada en dirección opuesta a la rotación del disco en el punto del trabado.

Por ejemplo, si un disco abrasivo se engancha o queda presionado por la pieza de trabajo, el borde del disco que entra en el punto de presión puede incrustarse en la superficie del material ocasionando que el disco se salga o sea expulsado. El disco puede entonces saltar hacia el operador o en dirección contraria al mismo, dependiendo de la dirección en la que se movía el disco al momento de engancharse. Los discos abrasivos pueden también romperse en estas condiciones.

El rebote es el resultado del mal uso de la herramienta eléctrica o de procedimientos o condiciones de operación incorrectos y puede evitarse si se toman las precauciones debidas, expuestas a continuación.

- a) **Sujete firmemente la herramienta eléctrica y sitúe el cuerpo y el brazo de manera que pueda resistir la fuerza del rebote. Siempre sostenga la manija delantera y trasera para obtener un control máximo sobre el retroceso o la reacción de torque durante el arranque.** El operador puede controlar la reacción del par de torsión o la fuerza del rebote, si se toman las precauciones adecuadas.
- b) **No ponga nunca la mano cerca del accesorio en movimiento.** El accesorio podría rebotar encima de su mano.
- c) **No se posicione alineado con respecto al disco en movimiento.** El rebote dirigirá la herramienta en la dirección contraria a la del movimiento del disco al momento de atascarse.
- d) **Tenga especial cuidado cuando trabaje en esquinas, bordes afilados, etc. Evite hacer rebotar o enganchar el accesorio.** Las esquinas, los bordes afilados y los movimientos irregulares tienen tendencia a hacer que el accesorio en movimiento se enganche y ocasione pérdida de control o rebote.
- e) **No conecte una cadena de sierra, hoja para tallar en madera ni hoja de sierra dentada en la sierra.** Tales cuchillas causan retrocesos frecuentes y pérdida de control.
- f) **No use una rueda segmentada con un espacio periférico mayor a 10 mm (3/8").**
- g) **No "embuta" el disco ni aplique demasiada presión. No intente hacer un corte de**



**profundidad excesiva.** El ejercer demasiada presión sobre el disco aumenta la carga y la susceptibilidad al giro o atasco del disco en el corte y la posibilidad de rebote o rotura del disco.

- h) **Cuando el disco esté bloqueado o cuando interrumpa un corte por cualquier razón, apague la herramienta eléctrica y sujétela sin moverse hasta que el disco se pare por completo. No intente nunca sacar el disco del corte mientras esté en movimiento, de lo contrario puede ocurrir un rebote.** Investigue y tome medidas correctivas para eliminar la causa del trabado del disco.
- i) **No vuelva a empezar la operación de corte en la pieza de trabajo. Deje que el disco alcance la velocidad máxima y vuelva a introducirlo en el corte con cuidado.** El disco puede atascarse, saltar o rebotar si la herramienta eléctrica vuelve a ponerse en marcha en la pieza de trabajo.
- j) **Apoye los paneles o cualquier pieza de trabajo de tamaño grande para minimizar el riesgo de rebote o corte del disco. Las piezas de trabajo grandes tienden a hundirse por su propio peso.** Se deben colocar soportes bajo la pieza de trabajo cerca de la línea de corte y cerca del borde de la pieza de trabajo en ambos lados del disco.
- k) **Tenga mucho cuidado cuando realice "cortes de cavidad" en paredes existentes u otras zonas ciegas.** El disco protuberante puede cortar las tuberías de gas o de agua, la instalación eléctrica u objetos que puedan ocasionar un rebote.

## Instrucción Adicional de Seguridad

- **El uso de accesorios que no aparecen especificados en este manual no se recomienda y podría ser peligroso.** El uso de amplificadores de potencia que harían que la herramienta fuera operada a velocidades mayores a su velocidad nominal se considera un mal uso de esta.
- **No use cuchillas de sierra circulares con esta herramienta.** Puede resultar en lesiones serias.
- **Evite rebotar el disco o tratarlo bruscamente.** Si ello sucediera, detenga la herramienta e inspeccione el disco para ver si presenta cuarteaduras o fallas.
- **Dirija las chispas lejos del operador, transeúntes o materiales inflamables.** Se pueden producir chispas al usar una herramienta de corte. Las chispas pueden causar quemaduras o provocar incendios.
- **Siempre use la manija delantera. Asegúrese que la manija delantera esté apretada firmemente antes de usarla.** La manija delantera siempre se debe usar para mantener el control de la herramienta en todo momento.
- **Nunca corte en un área que podría contener cables eléctricos o tuberías.** Podría resultar en lesiones graves.
- **Limpie su herramienta con frecuencia, especialmente después de usos prolongados.** El polvo y la arenilla que contienen partículas metálicas se

acumulan con frecuencia en las superficies interiores y podrían ocasionar peligro de descarga eléctrica.

- **No opere esta herramienta durante períodos largos de tiempo. La vibración causada por la acción de la herramienta puede ser dañina para sus manos y brazos.** Use guantes para un mejor amortiguamiento y descanse con frecuencia para limitar su exposición.
- **Nunca use el peso de la herramienta para detener la rotación de la cuchilla.**
- **Nunca deje desatendida su máquina de corte si está en modo de operación.** Cuando su máquina de corte no esté en uso, retire la batería, asegúrese que el interruptor de gatillo esté en la posición de APAGADO y que el botón de bloqueo esté activado.
- **Use siempre botas resistentes con suelas antideslizantes y guantes de trabajo resistentes al operar su máquina de corte.** Los guantes de trabajo pesado mejoran su agarre y protegen sus manos.
- **Siempre use protección respiratoria aprobada por NIOSH/OSHA cuando corte en húmedo por debajo del índice de flujo recomendado.**
- **Consulte y siga las leyes o regulaciones federales, estatales o locales con respecto al corte seco y húmedo.**
- **Nunca toque la rueda giratoria con ninguna parte de su cuerpo.**
- **Cuando transporte la máquina, siempre asegúrese que el botón de bloqueo esté en la posición bloqueada.**
- **Retire la rueda de corte después de su uso.** La rueda de corte puede sufrir daños durante el transporte.
- **Nunca use una rueda de corte que esté dañada, sea incorrecta o vibre.**
- **Nunca use su máquina de corte mientras está parado en una escalera o andamio.**
- **Nunca corte por encima de la altura de su hombro.**
- **No corte madera ni ningún otro material para la que no esté clasificada la rueda.**
- **Use el método de corte húmedo cuando use una cuchilla de diamante siempre que sea posible.** El agua puede actuar como un lubricante y reducir el riesgo de las fuerzas reactivas.
- **Tenga cuidado cuando vuelva a entrar a un corte.** No empuje la rueda de corte dentro del corte en ángulo ya que esto puede aumentar el riesgo de atascamiento.
- **Siempre esté alerta de cualquier cosa que pueda causar que la pieza de trabajo se cierre en el corte y atrape la rueda de corte.** Siempre sostenga la pieza de trabajo de forma que el corte permanezca abierto. Nunca realice un corte que pueda provocar el atascamiento de la rueda de corte.



**ADVERTENCIA:** Use SIEMPRE lentes de seguridad.

Los anteojos de diario NO SON lentes de seguridad.

Utilice además una cubrebocas o mascarilla antipolvo si la operación de corte genera demasiado polvo.

SIEMPRE LLEVE EQUIPO DE SEGURIDAD CERTIFICADO:

- protección ocular ANSI Z87.1 (CAN/CSA Z94.3),

ESPAÑOL

- protección auditiva ANSI S12.6 (S3.19),
- protección respiratoria NIOSH/OSHA/MSHA.



**ADVERTENCIA:** Algunas partículas de polvo generadas al lijar, serrar, esmerilar y taladrar con herramientas eléctricas, así como al realizar otras actividades de construcción, contienen químicos que el Estado de California sabe que pueden producir cáncer, defectos congénitos u otras afecciones reproductivas. Ejemplos de estos químicos son:

- plomo de algunas pinturas en base a plomo,
- polvo de sílice proveniente de ladrillos y cemento y otros productos de albañilería, y
- arsénico y cromo provenientes de madera tratada químicamente.

Su riesgo de exposición a estos químicos varía, dependiendo de la frecuencia con la cual realiza usted este tipo de trabajo. Para reducir su exposición a estas sustancias químicas: trabaje en una zona bien ventilada y llevando equipos de seguridad aprobados, como mascarillas antipolvo especialmente diseñadas para filtrar partículas microscópicas.

- **Evite el contacto prolongado con polvo generado por el lijado, aserrado, pulido, taladrado y otras actividades de construcción. Vista ropas protectoras y lave las áreas de la piel expuestas con agua y jabón.** Si permite que el polvo se introduzca en la boca u ojos o quede sobre la piel, puede favorecer la absorción de productos químicos peligrosos.



**ADVERTENCIA:** La utilización de esta herramienta puede generar polvo o dispersarlo, lo que podría causar daños graves y permanentes al sistema respiratorio, así como otras lesiones. Siempre use protección respiratoria aprobada por NIOSH (Instituto Nacional de Seguridad y Salud en el Trabajo) u OSHA (Administración de Seguridad y Salud en el Trabajo) apropiada para la exposición al polvo. Dirija las partículas en dirección contraria a la cara y el cuerpo.



**ADVERTENCIA:** Siempre lleve la debida protección auditiva personal en conformidad con ANSI S12.6 (S3.19) durante el uso de esta herramienta. Bajo algunas condiciones y duraciones de uso, el ruido producido por este producto puede contribuir a la pérdida auditiva.



**ATENCIÓN:** Cuando no esté en uso, guarde la herramienta apoyada en un costado sobre una superficie estable, donde no interrumpa el paso o provoque una caída. Algunas herramientas con paquetes de baterías de gran tamaño pueden colocarse paradas sobre el paquete de baterías, pero pueden caerse fácilmente.

- **Los orificios de ventilación suelen cubrir piezas en movimiento, por lo que también se deben evitar.** Las piezas en movimiento pueden atrapar prendas de vestir sueltas, joyas o el cabello largo.

La etiqueta de su herramienta puede incluir los siguientes símbolos. A continuación se indican los símbolos y sus definiciones:

V .....	voltios	or AC/DC ...	corriente alterna o directa
Hz .....	hertz		Construcción de Clase II (doble aislamiento)
min .....	minutos	n <sub>0</sub> .....	velocidad sin carga
— — — or DC .....	direct current	n .....	velocidad nominal
	Construcción de Clase I (tierra)		terminal de conexión a tierra
.../min .....	por minuto		símbolo de advertencia de seguridad
BPM .....	golpes por minuto		radiación visible
IPM .....	impactos por minuto		protección respiratoria
RPM .....	revoluciones por minuto		protección ocular
sfpm .....	pies de superficie por minuto		protección auditiva
SPM .....	pasadas por minuto		lea toda la documentación
A .....	amperios		
W .....	vatios		
or AC .....	corriente alterna		

## BATERÍAS Y CARGADORES

La batería no viene completamente cargada de fábrica. Antes de utilizar la batería y el cargador, lea las siguientes instrucciones de seguridad y luego siga los procedimientos de carga indicados. Cuando pida baterías de repuesto, no olvide indicar el número de catálogo y el voltaje.

Su herramienta utiliza un cargador DEWALT. Lea todas las instrucciones de seguridad antes de usar el cargador. Consulte la tabla al final de este manual para información sobre compatibilidad entre cargadores y baterías.

### LEA TODAS LAS INSTRUCCIONES

## Instrucciones de Seguridad Importantes

### Para Todas las Unidades de Batería



**ADVERTENCIA:** Lea todas las advertencias de seguridad y todas las instrucciones para la batería, el cargador y la herramienta eléctrica. No seguir las advertencias y las instrucciones puede provocar una descarga eléctrica, un incendio y/o lesiones graves.

- **No cargue o use la unidad de batería en atmósferas explosivas, como en presencia de líquidos, gases o polvos inflamables.** Puede que al insertar o sacar la unidad de batería del cargador se inflamen el polvo o los gases.
- **NUNCA fuerce la unidad de batería para que entre en el cargador. NO modifique la unidad de batería en ninguna forma para que entre en un cargador no compatible, pues puede producir una ruptura en la unidad de batería y causar lesiones corporales graves.** Consulte la tabla al final de este manual para ver la compatibilidad entre baterías y cargadores.
- **Cargue las unidades de batería sólo en los cargadores designados por DEWALT.**
- **NO salpique con ni sumerja en agua u otros líquidos.**

- **No guarde ni use la herramienta y unidad de batería en lugares donde la temperatura pueda alcanzar o superar los 40 °C (104 °F), tales como cobertizos o construcciones de metal durante el verano.**

Almacene las unidades de batería en lugares frescos y secos para maximizar su vida útil.

**NOTA: No almacene las unidades de batería en la herramienta con el interruptor de gatillo en posición encendida fija. Nunca use cinta adhesiva para mantener el interruptor de gatillo en posición ENCENDIDA.**

- **No incinere la unidad de batería, aunque esté completamente dañada o descargada. La unidad de batería puede explotar si se quema.** Cuando se queman unidades de batería de iones de litio, se producen gases y materiales tóxicos.
- **Si el contenido de la batería entra en contacto con la piel, lave el área de inmediato con agua y un jabón suave.** Si el líquido de la batería entra en contacto con sus ojos, enjuáguelos con agua y los ojos abiertos por 15 minutos o hasta que cese la irritación. Si se requiere de asistencia médica, el electrolito de la batería está compuesto por una mezcla de carbonatos orgánicos líquidos y sales de litio.
- **El contenido de los elementos abiertos de la batería puede causar irritación en el tracto respiratorio.** Salga al aire fresco. Si los síntomas persisten, busque asistencia médica.



**ADVERTENCIA:** Peligro de quemaduras. El líquido de la batería puede ser inflamable si se expone a chispas o llamas.



**ADVERTENCIA:** Peligro de incendio. Nunca intente abrir la unidad de batería por ningún motivo. Si la caja exterior de la unidad de batería se triza o daña, no la introduzca en el cargador. No triture, deje caer o dañe la unidad de batería. No use una unidad de batería o un cargador que haya sido golpeado, dejado caer, atropellado o dañado en cualquier forma (por ejemplo, perforado por un clavo, golpeado con un martillo, pisado). Lleve sus unidades de batería dañadas al centro de servicio para que sean recicladas.

## Transporte



**ADVERTENCIA:** Peligro de incendio. No guarde o transporte la batería de forma que los terminales expuestos de la misma puedan estar en contacto con objetos metálicos. Por ejemplo, no ponga la batería en delantales, bolsillos, cajas de herramientas, estuches de productos, cajones, etc., junto con clavos, tornillos, y llaves, etc. sueltos. **El transporte de baterías puede causar incendios si sus terminales inadvertidamente entran en contacto con materiales conductores como llaves, monedas, herramientas manuales y otros por el estilo.** El Reglamento sobre Materiales Peligrosos (HMR) del Departamento de Transporte de EE.UU. prohíbe transportar baterías comercialmente o en aviones en el equipaje de mano A MENOS que

estén debidamente protegidas contra cortocircuitos. Por lo tanto, cuando transporte baterías individuales, asegúrese de que sus terminales estén protegidos y debidamente aislados de los materiales que pudieran entrar en contacto con ellos y provocar un cortocircuito.

## TRANSPORTE DE LA BATERÍA FLEXVOLT™ DE DEWALT

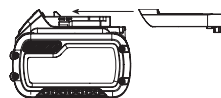
La batería FLEXVOLT™ de DEWALT tiene dos modalidades:

### Uso y transporte.

**Modalidad de uso:** Cuando la batería FLEXVOLT™ está independiente o está en un producto DEWALT de 20 V Máx\* funcionará como una batería de 20 V Máx\*. Cuando la batería FLEXVOLT™ está en un producto de 60 V Máx\* o 120 V Máx\* (dos baterías de 60 V Máx\*), funcionará como una batería de 60V Máx\*.

### Modalidad de transporte:

Cuando la batería FLEXVOLT™ tiene puesta la tapa, la batería está en modalidad de transporte.



Cadenas de celdas están desconectadas eléctricamente dentro de la unidad de batería, lo que resulta en tres baterías con una capacidad nominal de vatios hora (Wh) inferior comparada con una batería con una capacidad nominal de vatios hora superior. Esta mayor cantidad de tres baterías con una capacidad nominal de vatios-hora menor puede hacer que la unidad de batería quede exenta de ciertos reglamentos de transporte que se imponen a las baterías con mayor capacidad nominal de vatios-hora.

La etiqueta en la batería indica dos capacidades nominales de vatios-hora (ver el ejemplo). Dependiendo de cómo se transporta la batería, debe usarse la capacidad nominal de vatios-hora apropiada para determinar los requisitos de transporte aplicables. Si se utiliza la tapa de transporte, la unidad de batería será considerada tres baterías con la capacidad nominal de vatios-hora indicada para «Transporte». Si se transporta sin la tapa o en una herramienta, la unidad de batería será considerada una batería con la capacidad nominal de vatios-hora indicada al lado de «Uso».

Ejemplo de Marcado en Etiqueta de Uso y Transporte

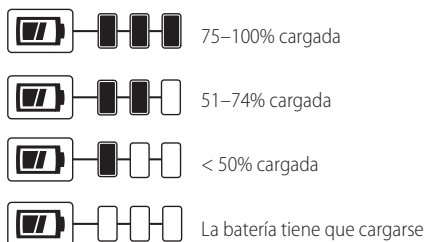
**USE: 120 Wh Shipping: 3 x 40 Wh**

Por ejemplo, la capacidad nominal de Wh de Transporte puede indicar 3 x 40 Wh, lo que significa 3 baterías de 40 vatios-hora cada una. La capacidad nominal de Wh de Uso puede indicar 120 Wh (se implica 1 batería).

## Unidades de Batería con Indicador de Carga (Fig. B)

Algunas unidades de batería DEWALT incluyen un indicador de carga que consiste de tres luces LED verdes que indican el nivel de carga que queda en la unidad de batería.

El indicador de carga es una indicación de niveles aproximados de carga que quedan en la batería según los indicadores siguientes:



Para activar el indicador de carga, presione y sostenga el botón del indicador. Se iluminará una combinación de las tres luces LED verdes, que indicará el nivel de carga que queda. Cuando el nivel de carga está por debajo del nivel útil, el indicador no se iluminará, y la batería deberá recargarse.

Fig. B



**NOTA:** El indicador de carga es sólo eso: un indicador de la carga de la unidad de batería. No indica el nivel de funcionalidad de la herramienta y puede variar de acuerdo a las piezas del producto, la temperatura y la aplicación que el usuario le dé.

Para mayor información sobre unidades de batería con indicadores de carga, por favor llame al 1-800-4-DEWALT (1-800-433-9258) o visite nuestro sitio Web: [www.dewalt.com](http://www.dewalt.com).

## El sello RBRC®

El sello RBRC® (Rechargeable Battery Recycling Corporation) en las baterías (unidades de batería) de níquel cadmio, níquel e hidruro metálico o de iones de litio indica que el costo de reciclaje de estas baterías (o unidades de batería) al llegar al final de su vida de servicio ya ha sido pagado por DEWALT. En algunas áreas, es ilegal depositar baterías de níquel cadmio, níquel e hidruro metálico o de iones de litio gastadas en la basura o la corriente de residuos sólidos urbanos; el programa Call 2 Recycle® proporciona una alternativa ecológica.

Call 2 Recycle, Inc., en cooperación con DEWALT y otros usuarios de baterías, han establecido programas en los Estados Unidos y Canadá para facilitar la recolección de baterías de níquel cadmio, níquel e hidruro metálico o de iones de litio gastadas. Al llevar sus baterías de níquel cadmio, níquel e hidruro metálico y de iones de litio gastadas a un centro de servicio autorizado por DEWALT o al minorista local para que sean recicladas, ayuda a proteger el medio ambiente y a conservar recursos naturales. También puede comunicarse con el centro de reciclaje de su localidad para mayor información sobre dónde llevar sus baterías gastadas.

RBRC® es una marca comercial registrada de Call 2 Recycle, Inc.



## Instrucciones Importantes de Seguridad Para Todos los Cargadores de Baterías

**⚠️ ADVERTENCIA:** Lea todas las advertencias de seguridad y todas las instrucciones para la batería, el cargador y la herramienta eléctrica. No seguir las advertencias y las instrucciones puede provocar una descarga eléctrica, un incendio y/o lesiones graves.

- **NO intente cargar la unidad de batería con otros cargadores que no sean los descritos en este manual.** El cargador y la unidad de batería fueron específicamente diseñados para trabajar en conjunto.
- **Estos cargadores no fueron diseñados para ser utilizados para más que cargar las baterías recargables DEWALT.** Cualquier otro uso puede producir riesgo de incendios, descargas eléctricas o electrocución.
- **No exponga el cargador a la lluvia o a la nieve.**
- **Tire del enchufe y no del cable cuando desconecte el cargador.** De esta forma se reduce el riesgo de daño al enchufe y cable.
- **Asegúrese de que el cable no sea ubicado de manera que podría ser pisado, causar que alguien tropiece con él o ser expuesto a otro tipo de daños y desgastes.**
- **No use un alargador a menos que sea absolutamente necesario.** El uso de un alargador incorrecto podría producir riesgo de incendios, descargas eléctricas o electrocución.
- **Cuando opere un cargador al exterior, hágalo siempre en un lugar seco y use un alargador apropiado para uso al exterior.** El uso de un alargador apropiado para uso al exterior reduce el riesgo de descarga eléctrica.
- **Los hilos del alargador deben ser de un calibre apropiado (AWG o American Wire Gauge) para su seguridad.** Mientras menor sea el calibre del hilo, mayor la capacidad del cable. Es decir, un hilo calibre 16 tiene mayor capacidad que uno de 18. Un cable de un calibre insuficiente causará una caída en la tensión de la línea dando por resultado una pérdida de energía y sobrecalentamiento. Cuando se utilice más de un alargador para completar el largo total, asegúrese que los hilos de cada alargador tengan el calibre mínimo. La tabla siguiente muestra el tamaño correcto a utilizar, dependiendo de la longitud del cable y del amperaje nominal de la placa de identificación. Si tiene dudas sobre cuál calibre usar, use un calibre mayor. Cuanto menor sea el número del calibre, más resistente será el cable.

**Calibre mínimo de conjuntos de cables**

Voltios	Longitud total del cable en pies (metros)				
	120 V	25 (7,6)	50 (15,2)	100 (30,5)	150 (45,7)
240 V	50 (15,2)	100 (30,5)	200 (61,0)	300 (91,4)	
Amperaje nominal	AWG				
0	6	18	16	16	14
6	10	18	16	14	12
10	12	16	16	14	12
12	16	14	12	No recomendado	

- **No coloque ningún objeto encima del cargador ni coloque a este sobre una superficie blanda que pudiera bloquear las ranuras de ventilación y resultar en un calor interno excesivo.** Coloque el cargador en un lugar alejado de cualquier fuente de calor. El cargador se ventila a través de las ranuras que se encuentran en la parte superior e inferior de la caja protectora.
- **No opere el cargador si su cable o enchufe están dañados.**
- **No opere el cargador si ha recibido un golpe agudo, si se ha caído o si ha sido dañado de alguna otra forma.** Llévelo a un centro de servicio autorizado.
- **No desarme el cargador; llévelo a un centro de servicio autorizado cuando deba ser reparado.** Si es reensamblado incorrectamente, puede causar descargas eléctricas, electrocución o incendios.
- **Desenchufe el cargador antes de intentar limpiarlo.** Esto reducirá el riesgo de descargas eléctricas. El retirar el paquete de baterías no reducirá este riesgo.
- **NUNCA** intente conectar 2 cargadores entre sí.
- **El cargador está diseñado para operar con una corriente eléctrica estándar residencial de 120 V. No intente usarlo con ningún otro voltaje.** Esto no aplica al cargador vehicular.

**⚠️ ADVERTENCIA:** Peligro de descarga eléctrica. No permita que ningún líquido se introduzca en el cargador. Puede producir descargas eléctricas.

**⚠️ ADVERTENCIA:** Peligro de quemaduras. No sumerja la unidad de batería en líquido de ningún tipo ni permita que se introduzca ningún tipo de líquido a la unidad de batería. Nunca intente abrir la unidad de batería por ningún motivo. Si la caja plástica de la unidad de batería se triza o rompe, llévela a un centro de servicio para su reciclaje

**⚠️ ATENCIÓN:** Peligro de quemaduras. Para reducir el riesgo de lesiones, sólo cargue unidades de batería recargables marca DeWALT. Otros tipos de batería podrían sobrecalentarse y reventar lo que podría resultar en lesiones corporales y daños a su propiedad.

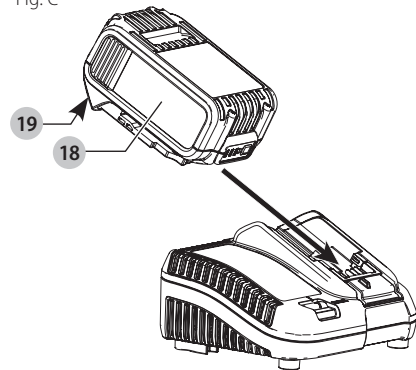
**AVISO:** Bajo ciertas condiciones, cuando el cargador está enchufado a una toma de corriente, el cargador puede hacer cortocircuito si entra en contacto con algún material ajeno. Los materiales ajenos de naturaleza conductora, como el polvo de esmerilado,

las placas de metal, la lana de acero, el papel de aluminio y otros, o cualquier acumulación de partículas metálicas deberían mantenerse alejados de las cavidades del cargador. Desenchufe siempre el cargador cuando no haya una unidad de batería en su cavidad. Desenchufe el cargador antes de intentar limpiarlo.

**Carga de una batería (Fig. C)**

1. Enchufe el cargador en una toma de corriente apropiada antes de introducir la batería.

Fig. C



2. Inserte la batería **18** en el cargador, comprobando esté bien fija. La luz roja (de carga) parpadeará continuamente para indicar que se ha iniciado el proceso de carga.
3. La luz roja se quedará ENCENDIDA continuamente cuando se haya completado el proceso de carga. La batería estará entonces completamente cargada y podrá ser utilizada de inmediato o dejarse en el cargador. Para sacar la batería del cargador, presione el botón de liberación **19** de la batería.

**NOTA:** Para asegurar el máximo rendimiento y vida útil de las baterías de iones de litio, cargue la batería completamente antes de usarla por primera vez.

**Funcionamiento del cargador**

Consulte los indicadores a continuación relativos al estado de carga de la batería.

DCB107, DCB112, DCB113, DCB115, DCB118, DCB132		
	Unidad en Proceso de Carga	
	Unidad Cargada	
	Restraso por Unidad Caliente/ Fría*	

**\*DCB107, DCB112, DCB113, DCB115, DCB118, DCB132:** La luz roja continuará parpadeando, pero una luz indicadora amarilla estará iluminada durante esta operación. Una vez que la batería haya llegado a una temperatura apropiada, la luz amarilla se apagará y el cargador continuará con el procedimiento de carga.

El cargador no cargará una batería defectuosa. El cargador indicará que la unidad de batería es defectuosa al no

## ESPAÑOL

iluminarse o al indicar que existe un problema con la unidad o el cargador.

**NOTA:** Esto también puede significar que hay un problema con el cargador.

Si el cargador indica un problema, lleve el cargador y la batería a un centro de servicio autorizado para que sean sometidos a pruebas.

### Retraso por batería caliente/fría

Cuando el cargador detecta que una batería está demasiado caliente o demasiado fría, inicia automáticamente un Retraso por batería caliente/fría y suspende la carga hasta que la batería alcanza una temperatura adecuada. En ese momento, el cargador inicia automáticamente el modo de carga de la batería. Esta función garantiza la máxima duración de la batería.

Una batería fría se carga más lentamente que una batería caliente. La batería se cargará a ese ritmo más lento durante todo el ciclo de carga y no volverá a cargarse a la velocidad de carga máxima incluso si la batería se calienta.

El cargador DCB118 está equipado con un ventilador interno diseñado para enfriar la batería. El ventilador se encenderá automáticamente cuando la batería tenga que enfriarse.

No opere nunca el cargador si el ventilador no funciona adecuadamente o si las ranuras de ventilación están obstruidas. No permita que entren objetos extraños dentro del cargador.

### Sistema de protección electrónica

Las herramientas con baterías de iones de litio están diseñadas con un Sistema de protección electrónica que protegerá la batería contra la sobrecarga, el sobrecalentamiento o la descarga completa.

La herramienta se apagará automáticamente si el Sistema de protección electrónico se activa. Si esto ocurre, coloque la batería de iones de litio en el cargador hasta que esté totalmente cargada.

## Montaje en la pared

### DCB107, DCB112, DCB113, DCB115, DCB118, DCB132

Estos cargadores están diseñados para montarse en la pared o colocarse en posición vertical sobre una mesa o superficie de trabajo. Si lo monta en la pared, coloque el cargador al alcance de una toma de corriente eléctrica y alejado de las esquinas u otras obstrucciones que puedan impedir el flujo de aire. Utilice la parte de atrás del cargador como plantilla para la ubicación de los tornillos de montaje en la pared. Monte el cargador firmemente utilizando tornillos para muro seco (comprados por separado) de un mínimo de 25,4 mm (1") de largo, con una cabeza de un diámetro de 7-9 mm (0,28-0,35"), atornillados en madera hasta una profundidad óptima dejando el tornillo expuesto aproximadamente 5,5 mm (7/32"). Alinee las ranuras en la parte trasera del cargador con los tornillos expuestos e introdúzcalos totalmente en las ranuras.

## Instrucciones de limpieza del cargador



**ADVERTENCIA:** Riesgo de descarga eléctrica.

Desconecte el cargador del tomacorriente de CA antes de limpiarlo. Para limpiar la suciedad y grasa del exterior del cargador puede usarse un paño o cepillo suave no metálico. No use agua ni soluciones limpiadoras.

## Notas importantes sobre la carga

1. Se puede obtener una mayor duración y un mejor rendimiento si la unidad de batería se carga a una temperatura ambiente de 18 – 24 °C (65 – 75 °F). NO cargue la unidad de batería a una temperatura ambiental inferior a +4.5 °C (+40 °F) o superior a +40 °C (+104 °F). Esto es importante y evitará causar daños graves a la batería.
2. Puede que el cargador y la unidad de batería se calienten ligeramente durante el proceso de carga. Esto es normal y no representa ningún problema. Para facilitar el enfriamiento de la unidad de batería después del uso, evite colocar el cargador o la unidad de batería en un lugar cálido, como un cobertizo metálico o un remolque sin aislamiento térmico.
3. Si la unidad de batería no se carga correctamente:
  - a. Verifique el funcionamiento de la toma enchufando una lámpara u otro aparato;
  - b. Revise que la toma de corriente no esté conectada a un interruptor de luz que corte la corriente cuando se corte la luz;
  - c. Mueva el cargador y la unidad de batería a un lugar donde la temperatura ambiental sea aproximadamente 18 – 24 °C (65 – 75 °F);
  - d. Si el problema de carga continúa, lleve la herramienta, unidad de batería y el cargador a su centro de servicio local.
4. La unidad de batería debería ser recargada cuando no sea capaz de producir suficiente potencia para trabajos que eran fácilmente realizados antes. NO CONTINÚE usándola bajo estas circunstancias. Siga el procedimiento de carga. También puede cargar una unidad de batería que haya sido usada parcialmente cuando lo desee, sin dañarla.
5. Los materiales ajenos conductores por naturaleza, tales como, pero sin limitarse a, el polvo del esmerilado, las virutas metálicas, la lana de acero, el papel de aluminio o cualquier acumulación de partículas metálicas deberían mantenerse alejados de las cavidades del cargador. Desenchufe siempre el cargador de la toma de corriente cuando no haya una unidad de batería en su cavidad. Desenchufe el cargador antes de intentar limpiarlo.
6. No congele ni sumerja el cargador en agua o cualquier otro líquido.

## Recomendaciones de almacenamiento

1. El mejor lugar de almacenamiento es uno que sea fresco y seco, lejos de la luz solar directa y del exceso de calor o frío.

- Para resultados óptimos durante tiempos prolongados de almacenamiento, se recomienda almacenar la unidad de batería completamente cargada en un lugar fresco y seco fuera del cargador.

**NOTA:** Las unidades de batería no deberían almacenarse completamente descargadas. La unidad de batería deberá recargarse antes de ser usada.

**GUARDE ESTAS INSTRUCCIONES PARA VOLVER A CONSULTAR EN EL FUTURO**

**COMPONENTES (FIG. A)**

**⚠ ADVERTENCIA:** Nunca modifique la herramienta eléctrica, ni tampoco ninguna de sus piezas. Podría producir lesiones corporales o daños.

Consulte la Figura A al principio de este manual para obtener una lista completa de los componentes.

**Uso Debido**

Esta máquina cortadora está diseñada para aplicaciones de corte profesionales.

**NO** utilice la herramienta en condiciones de humedad o en presencia de líquidos o gases inflamables.

Esta máquina cortadora es una herramienta eléctrica profesional.

**NO** permita que los niños toquen la herramienta. Si el operador no tiene experiencia operando esta herramienta, su uso deberá ser supervisado.

**ESPECIFICACIONES**

DCS690	
Diámetro de cuchilla	230 mm (9")
Tamaño de eje	22,2 mm (7/8")
RPM	6600

**Botón de bloqueo de apagado (Fig. A)**

Su herramienta de corte está equipada con un botón de bloqueo de apagado 3. Para bloquear el interruptor de gatillo en la posición OFF, oprima el botón de bloqueo de apagado del lado izquierdo de la herramienta. Para desbloquear el interruptor de gatillo en la posición OFF, oprima el botón de bloqueo de apagado del lado derecho de la herramienta.

**MONTAJE Y AJUSTES**

**⚠ ADVERTENCIA:** Para reducir el riesgo de lesiones personales graves, apague la herramienta y retire el paquete de baterías antes de realizar ajustes o de retirar/instalar dispositivos o accesorios. Asegúrese que el interruptor de gatillo esté en la posición OFF (apagado). Un arranque accidental podría causar lesiones.

**Botón de bloqueo de husillo (Fig. A)**

El botón de bloqueo del husillo 13 se utiliza para bloquear el tornillo del eje 11 cuando se cambian los accesorios.

- Para activar el botón de bloqueo del husillo, retire el paquete de batería y asegúrese que el interruptor de

gatillo esté en la posición de APAGADO y que el botón de bloqueo esté activado.

- Presione el botón de bloqueo del eje y gire la rueda y el husillo hasta que el botón de bloqueo se conecte en el eje.
- Use la llave suministrada 6 para desatornillar el tornillo del eje 11 y retire o instale los accesorios. Las roscas del husillo son a mano derecha.

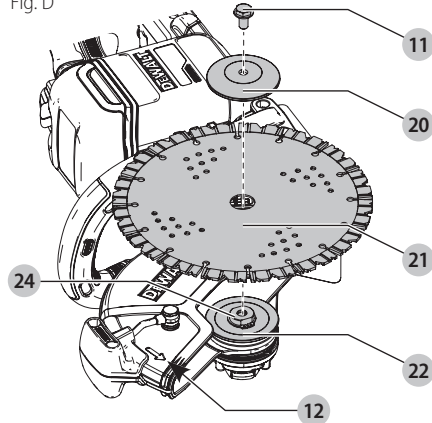
**Instalación de ruedas abrasivas y de diamante (Fig. A, D)**

**⚠ ADVERTENCIA:** Instale sólo una cuchilla.

- Coloque la unidad sobre una superficie firme, con el tornillo del eje 11 hacia arriba.
- Usando la llave de extremo abierto de 13 mm (1/2") 6 (ubicada en el compartimiento de la batería), retire el tornillo del árbol 11, la arandela de abrazadera exterior 20 y la rueda usada 21 si está instalada. Evite que el tornillo del eje 11 gire con el botón de bloqueo del husillo 13. Las roscas del husillo son a mano derecha.
- La arandela de abrazadera interna 22 se mantiene en su lugar con un doble eje D y un anillo de retención.
- Rueda de deslizamiento sobre el husillo 24. Deslizamiento en la arandela de abrazadera externa. Comience a enroscar el tornillo del eje que se alineará automáticamente con la arandela de la abrazadera externa. **IMPORTANTE:** Asegúrese que la cuchilla de diamante esté instalada con la rotación correcta, como se indica en el indicador de rotación de la cuchilla 12.
- Active el botón de bloqueo del husillo y apriete firmemente el tornillo con la llave. No apriete demasiado el tornillo del eje.
- Gire la rueda a mano para asegurarse que esté centrada correctamente. La rueda no debe golpear la zapata o la protección. El tornillo y las bridas deben estar apretados.

**⚠ ATENCIÓN:** Utilice únicamente ruedas Tipo 1/41 de 230 mm (9") con orificio para el eje de 22,2 mm (7/8") con esta herramienta. Nunca fuerce una rueda en la máquina ni modifique el tamaño del orificio del eje.

Fig. D



## Reemplazo de arandelas de abrazadera desgastadas (Fig. D)

**⚠️ ADVERTENCIA:** Reemplace las arandelas de abrazadera a medida que se desgasten. Pueden volverse filosas con el uso prolongado.

1. Retire el tornillo del eje **11**, la arandela de la abrazadera exterior **20** y la rueda usada **21** si está instalado como se describe en **Instalación de ruedas abrasivas y de diamante**.
2. Para retirar la arandela de la abrazadera interna (22), primero retire el anillo de retención que sostiene la arandela de la abrazadera interna al doble eje D.
3. Retire la arandela de abrazadera interna y reemplácela por una nueva. Oriente la arandela de abrazadera interna con la sección central hundida hacia la cuchilla. Asegúrese que la nueva arandela de abrazadera interna esté segura con el anillo de retención en su lugar.
4. Instale la rueda **21**, la nueva arandela de abrazadera exterior **20** y el tornillo del eje **11** como se describe en **Instalación de ruedas abrasivas y de diamante**.

## Ajuste de ángulo de protección (Fig. E)

**⚠️ ADVERTENCIA:** No use la manija de rotación de la protección para sostener la herramienta mientras corta. La manija de rotación de la protección sólo se usa para ajustar la protección mientras la herramienta no está en uso.

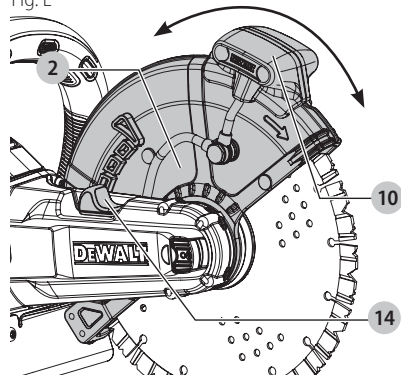
**⚠️ ATENCIÓN:** La protección puede estar caliente. Use la manija de la protección para girarla.

**⚠️ ADVERTENCIA:** Siempre asegúrese que la protección esté correctamente conectada antes de encender la máquina.

Puede ajustar el ángulo de la protección.

1. Para ajustar el ángulo de la protección, jale hacia atrás la palanca de liberación de rotación de la protección **14** y sosténgala.
2. Sujete la protección **2** firmemente por la manija de rotación de la protección **10** y gírela al ángulo deseado.
3. Suelte la palanca de liberación de rotación de la protección y asegúrese que se conecte, bloqueando la protección en su lugar. Si la palanca de liberación de la rotación de la protección no se conecta, gire la protección ligeramente hasta que la palanca de liberación de rotación de la protección vuelva a la posición de bloqueo.

Fig. E

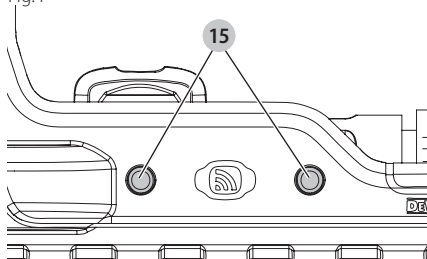


## Etiqueta de herramienta DEWALT lista (Fig. F)

### Accesorio opcional

Su sierra d corte viene con orificios de montaje **15** y sujetadores para instalar una etiqueta de herramienta DEWALT. Necesitará una punta de broca T15 para instalar la etiqueta. La Etiqueta de herramienta DEWALT está diseñada para rastrear y ubicar herramientas, equipos y máquinas eléctricas profesionales con la aplicación DEWALT Tool Connect™. Para la instalación correcta de la etiqueta de herramienta DEWALT, consulte el manual de Etiqueta de herramienta DEWALT.

Fig. F



## OPERACIÓN

**⚠️ ADVERTENCIA:** Para reducir el riesgo de lesiones personales graves, apague la herramienta y retire el paquete de baterías antes de realizar ajustes o de retirar/instalar dispositivos o accesorios. Asegúrese que el interruptor de gatillo esté en la posición OFF (apagado). Un arranque accidental podría causar lesiones.

## Cómo instalar y retirar la unidad de batería (Fig. G)

**NOTA:** Para mejores resultados, verifique que su unidad de batería esté completamente cargada. Sólo use baterías DEWALT FLEXVOLT™ con esta máquina de corte.

Desbloquee la puerta de la batería **5** moviendo el seguro de la puerta de la batería **4** hacia la parte posterior de la herramienta y ábrala como se muestra en la Figura G.



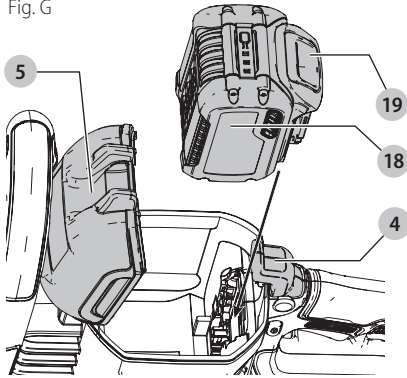
Para instalar el paquete de batería **18** en la herramienta, alinee el paquete de batería con los rieles dentro de la herramienta y deslícela hasta que el paquete de batería esté asentado firmemente. Asegúrese que no se desconecte.

Cierre la puerta de la batería **5** y empuje el seguro de la puerta de la batería **4** hacia adelante, hacia la parte delantera de la herramienta, para bloquear la puerta de la batería.

Para extraer el paquete de batería de la herramienta, desbloquee y abra la puerta de la batería. A continuación, presione el botón de liberación de la batería **19** y jale firmemente el paquete de batería fuera de la herramienta. Insértelo en el cargador como se describe en la sección **Carga de batería**.

No deje la puerta de la batería abierta.

Fig. G

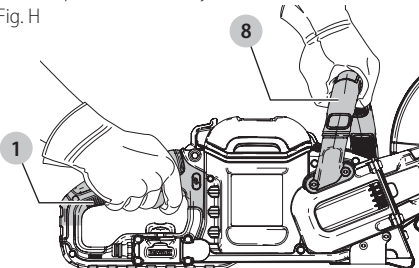


### Posición adecuada de las manos (Fig. H)

- ⚠** **ADVERTENCIA:** Para reducir el riesgo de lesión personal grave, tenga **SIEMPRE** las manos en una posición adecuada como se muestra.
- ⚠** **ADVERTENCIA:** Para reducir el riesgo de lesión personal grave, sujete **SIEMPRE** bien en caso de que haya una reacción repentina.
- ⚠** **ADVERTENCIA:** Nunca use la máquina de corte con una mano. Siempre sujete firmemente la máquina de corte con ambas manos.
- ⚠** **ADVERTENCIA:** Asegúrese que las manijas y agarres de su máquina de corte estén seguros y libres de grasa y/o humedad.

La posición correcta de la mano para usuarios diestros y zurdos requiere su mano derecha en la manija trasera **1** y su mano izquierda en la manija delantera **8**.

Fig. H



### LED de indicador de carga pesada (Fig. A)

El LED de indicador de carga pesada **7** se iluminará como advertencia cuando la herramienta se esté presionando demasiado. Continuar usando la herramienta después de que el LED se encienda podría causar que la herramienta se apague o reduzca el tiempo de operación.

### Reducción de riesgo de retroceso (Fig. I)

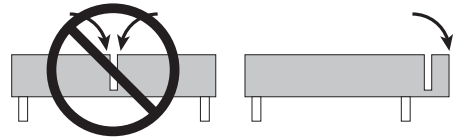
**⚠** **ADVERTENCIA:** Pueden ocurrir fuerzas reactivas en cualquier momento que la rueda de corte esté en movimiento.

**⚠** **ADVERTENCIA:** Para reducir el riesgo de retención, evite cortar con el cuadrante superior de la rueda de corte siempre que sea posible.

*Tenga mucho cuidado con el atascamiento o el atrapamiento de la rueda de corte en esta área, ya que puede causar fuerzas reactivas severas que provoquen un retroceso.*

- Siempre esté alerta a cualquier movimiento potencial que pueda causar que el material que se está cortando se cierre y atrape la rueda de corte.
- El soporte adecuado del material asegurará que el corte permanezca abierto durante el corte. Si no puede soportar adecuadamente el material, no use una máquina de corte para hacer el corte.

Fig. I



- Siempre sostenga la tubería expuesta en el suelo para que sea estable y pueda soportar el peso. Use un soporte adicional más cerca del área a cortar para evitar que la tubería se combe y atrape la rueda de corte.
- El material que está bajo estrés puede cambiar cuando se corta. Los lechos de tuberías irregulares pueden ejercer estrés.
- Siempre asegúrese que la sección del material que se está retirando también esté soportada. Después de realizar el primer corte, es posible que tenga que mover los soportes o agregar soporte adicional para asegurarse que ambos lados del material tengan un soporte uniforme.
- Tenga en cuenta las áreas de trabajo debilitadas que podrían desplazarse o deslizarse causando el movimiento de sus soportes.

### Hacer cortes con una máquina de corte

- ⚠** **ATENCIÓN:** Antes de intentar comenzar, sujete la herramienta firmemente con ambas manos antes de levantar.
- ⚠** **ADVERTENCIA:** La sierra de corte no está diseñada para el rectificado superficial u otras aplicaciones donde se encuentra la carga lateral de la cuchilla.
- ⚠** **ADVERTENCIA:** El corte de bordes sólo se puede realizar con ruedas diseñadas y especificadas para

este propósito. Protéjase durante el corte de borde al dirigir el lado abierto de la protección lejos de usted, el operador.

**ADVERTENCIA:** Las ruedas utilizadas para el corte pueden romperse o retroceder si se doblan o giran mientras la herramienta se utiliza para realizar trabajos de corte.

**ADVERTENCIA:** Siempre esté atento a las fuerzas giroscópicas que pueden generarse con una rueda de corte que gira rápidamente. Mover la máquina de corte lateralmente puede crear una fuerza giroscópica, lo que provoca que el operador experimente un cambio de dirección perpendicular inesperado.

**Método de corte húmedo (Fig. A, J, K)**

**ATENCIÓN:** Cierre la puerta de la batería y asegúrela firmemente antes de usar agua.

**ATENCIÓN:** Nunca use la sierra sobre la cabeza. Cuando use agua, limite el corte a la posición horizontal para reducir el riesgo de que entre agua en la herramienta.

**ADVERTENCIA:** El método de corte húmedo se debe usar únicamente con una cuchilla de diamante.

**ADVERTENCIA:** La velocidad de flujo recomendada debe ser por lo menos 20 fl. onz. (0.6 litros) por minuto. Cortar a una velocidad de flujo menor que la recomendada o cortar por más de dos horas consecutivas requiere el uso de protección respiratoria aprobada por NIOSH/OSHA para el operador y cualquier persona presente.

**ADVERTENCIA:** La presión máxima del agua suministrada no debe exceder 60 PSI (4.1 bar).

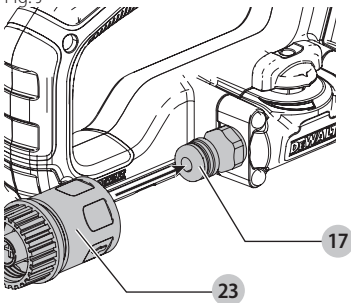
**ADVERTENCIA:** Asegúrese que el agua no fluya hacia la rueda abrasiva mientras la máquina de corte no está en uso. La rueda de corte absorberá agua que afectará el equilibrio.

**AVISO:** Antes de usar el método de corte húmedo, asegúrese que el agua no dañará el material que se está cortando o las propiedades alrededor.

**Conexión de suministro de agua**

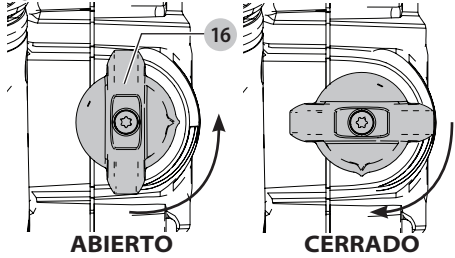
1. Conecte el suministro de agua al conector rápido de agua **23**.
2. Conecte el conector rápido de agua a la entrada de agua **17**.

Fig. J



3. Para regular el flujo de agua, gire lentamente la válvula de agua **16** hacia la posición abierta hasta que se alcance el flujo deseado como se muestra en la Figura K. Para detener el flujo de agua, gire la válvula de agua a la posición cerrada.
4. Proceda a cortar como se describe en **Realización de un Corte** a continuación.
5. Después de terminar los cortes, opere la máquina durante 3-5 segundos con la válvula de agua cerrada para eliminar el agua residual de la rueda de corte.

Fig. K



**Retiro de suministro de agua**

1. Apague y despresurice el sistema de agua.
2. Asegúrese que el interruptor de gatillo **2** esté en la posición de APAGADO y que el botón de bloqueo **3** esté activado.
3. Cierre la válvula de agua **16**.
4. Desconecte el conector rápido de agua **23** de la entrada de agua **17**.

**Realización de un Corte**

**ADVERTENCIA:** Siempre asegúrese que la protección esté en su lugar y ajustada para el tipo de corte que está haciendo.

**ADVERTENCIA:** Siempre use su máquina de corte de forma que el operador y los transeúntes no se vean amenazados por las posibles partículas suspendidas en el aire del material que se está cortando, las chispas o piezas de las ruedas de corte dañadas.

**PELIGRO:** Para reducir el riesgo de lesiones graves o mortales, **NO** cambie la dirección durante el corte. Un cambio en la dirección puede producir una carga de torsión alta en la rueda de corte y hacer que se atasque o rompa.

**ATENCIÓN:** Use guantes cuando corte metal.

1. Marque una línea de corte en el material a cortar.
2. Sujete firmemente la manija trasera **1** y la manija delantera **8**.
3. Alinee la rueda con la línea de corte. Asegúrese que no haya nada cerca o en línea con la rueda.
4. Presione y mantenga presionado el interruptor de gatillo **2**, espere a que la cuchilla alcance su velocidad máxima, luego lentamente inserte la rueda al trabajo con presión firme, trabajando a lo largo de la línea de corte. No fuerce la herramienta. Corte tan profundo como sea necesario para reducir la cantidad de polvo

producido. Para una máxima eficiencia y vida útil de la rueda, mantenga alta la velocidad de la rueda. Para mantener el control de la máquina de corte, libere presión a medida que se acerca al final de su corte.

- Para detener la herramienta, suelte el interruptor de gatillo **2**.
- Coloque el botón de bloqueo **3** en la posición bloqueada y asegúrese que la rueda de corte se haya detenido por completo antes de ajustar la máquina de corte.

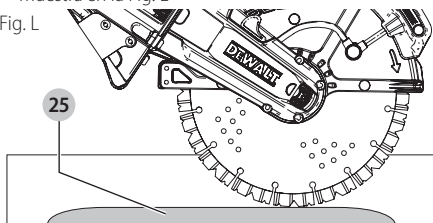
**NOTA:** El material más denso y más grueso se debe cortar en varias pasadas. La profundidad máxima de corte de cada pasada no debe exceder 25,4 mm (1,0").

### Corte de losas (Fig. L, M)

**⚠ ADVERTENCIA:** Antes de realizar cualquier corte, asegúrese que la losa esté correctamente asegurada en una superficie antideslizante.

- Corte una ranura guía a lo largo de una línea de corte marcada.
- Corte más profundo en la losa, nunca excediendo la profundidad máxima de corte de 83 mm (3,25") y dejando una cresta de material sin cortar **25** como se muestra en la Fig. L.

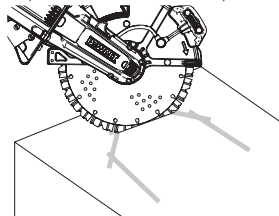
Fig. L



- Corte a través de la losa en cada extremo para asegurarse que la losa no se astille.
- Rompa la losa.

**NOTA:** Las curvas se deben hacer en la losa usando varios cortes rectos como se muestra en la Fig. M, siempre asegurándose que la rueda de corte no quede acuñada.

Fig. M



### Corte de tubo (Fig. N, O)

**⚠ ADVERTENCIA:** Antes de realizar cualquier corte, asegúrese que el tubo esté correctamente asegurado en una superficie antideslizante.

**⚠ ADVERTENCIA:** La tubería puede romperse en cualquier momento durante el corte. Tome precauciones para mantener el control de la herramienta y evitar la caída de escombros.

### Si el diámetro exterior de la tubería es menor que la profundidad máxima de corte

- Haga un corte recto hacia abajo, comenzando desde la parte superior de la tubería hasta la parte inferior de la tubería.

### Si el diámetro exterior de la tubería es mayor que la profundidad máxima de corte

Se necesitan varios cortes en tuberías más grandes y es importante hacer los cortes en la secuencia correcta.

### Si la tubería está enterrada y no puede rodarse, realice la siguiente secuencia de cortes

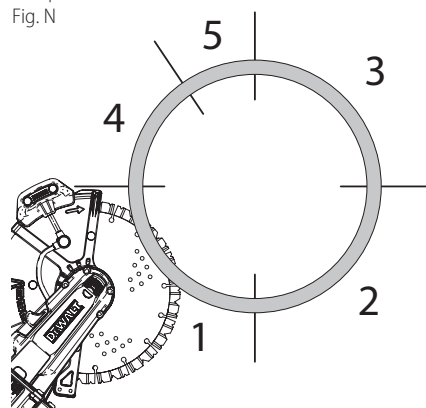
- Corte una ranura de guía a lo largo de una línea de corte marcada, asegurándose de evitar refuerzos metálicos si es posible.
- Comience en la parte inferior de la tubería y use sólo la parte delantera y superior de la rueda de corte. Esto reducirá el riesgo de retroceso o atrapamiento.
- Usando sólo la parte delantera y la parte superior de la rueda de corte, haga un corte en el lado opuesto de la tubería.
- Haga un corte lateral en la mitad superior de la tubería.
- Haga un segundo corte lateral en el lado opuesto de la mitad superior.

**IMPORTANTE:** Para evitar que la tubería atrape la rueda de corte, asegúrese de no cortar en el área del corte final.

- Asegúrese que todos los cortes superior e inferior estén completos al hacer el corte superior final.

**IMPORTANTE:** Siempre haga el corte final desde la parte superior de la tubería. Si la tubería está correctamente soportada, esto reducirá el riesgo de atrapar la rueda de corte. Si se produce cualquier atrapamiento, estará en la parte inferior de la rueda de corte, lo que provocará que se suelte, pero no que retroceda.

Fig. N



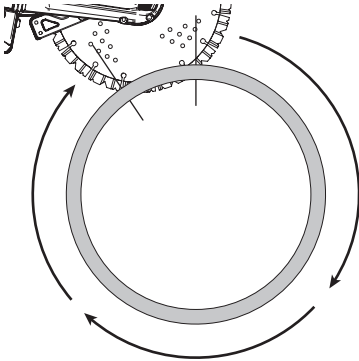
### Si la tubería está libre y no puede rodarse, realice la siguiente secuencia de cortes.

- Asegure la tubería en una superficie antideslizante.
- Usando sólo la parte inferior de la rueda de corte, haga un corte en la parte superior de la tubería.

## ESPAÑOL

- Haga rodar la tubería y repita los pasos 1 y 2 hasta que se complete el corte.

Fig. O



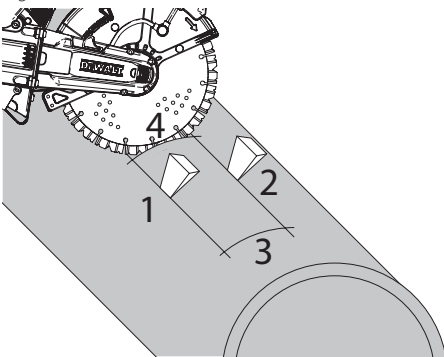
### Cortar un hueco en tubería de concreto (Fig. P)

**⚠ ADVERTENCIA:** Antes de realizar cualquier corte, asegúrese que el tubo esté correctamente asegurado en una superficie antideslizante.

Se necesitan varios cortes para hacer un corte de rebaje en el tubo de concreto y es importante hacer los cortes en la secuencia correcta.

- Primero haga dos cortes a lo largo de la tubería. Siempre haga un corte axial para evitar atrapar la rueda de corte.
- Inserte cuñas en los cortes.
- Realice el tercer y cuarto corte para completar el hueco.
- Si la parte cortada permanece después de hacer los cuatro cortes, no haga más cortes. Rompa la parte cortada.

Fig. P



### Aplicaciones

**⚠ ADVERTENCIA:** NUNCA corte magnesio con esta herramienta. Las partículas de magnesio pueden encenderse y causar lesiones corporales.

- Metal en planchas de un grosor máximo de 3 mm (1/8")
- Concreto, bloques de hormigón y ladrillo
- Tejas (terracota o similar)
- Bordillo de piedra/adoquines

- Asfalto
- Varilla de refuerzo; generalmente menos de 25,4 mm (1") de diámetro
- Malla de alambre de concreto de 3 mm (1/8") de diámetro
- Piso corrugado y forma de techo (formas de concreto)
- Ductos eléctricos para paredes de 3 mm (1/8") de grosor
- Moldes estructurales tales como canales, ángulos, placas, etc., de un grosor máximo de 3 mm (1/8")

**NOTA:** No se recomienda el corte de materiales más pesados que los mencionados anteriormente debido a la posibilidad de dañar la herramienta.

### MANTENIMIENTO

**⚠ ADVERTENCIA:** Para reducir el riesgo de lesiones personales graves, apague la herramienta y retire el paquete de baterías antes de realizar ajustes o de retirar/instalar dispositivos o accesorios. Asegúrese que el interruptor de gatillo esté en la posición OFF (apagado). Un arranque accidental podría causar lesiones.

### Maintenance Schedule

	Antes de usar	Diariamente/ Después del trabajo
Limpiar la máquina		X
Revisar/limpiar manijas	X	
Revisar puerto de admisión		X
Revisar la batería	X	
Revisar el compartimiento de la batería	X	
Revisar la admisión de agua	X	
Revisar la rueda de corte	X	
Revisar la placa guía		X

### Limpieza

**⚠ ADVERTENCIA:** Sople la suciedad y el polvo de todos los conductos de ventilación con aire seco, al menos una vez por semana. Para reducir el riesgo de lesiones, utilice siempre protección para los ojos aprobada ANSI Z87.1 al realizar esta tarea.

**⚠ ADVERTENCIA:** Nunca utilice solventes ni otros químicos abrasivos para limpiar las piezas no metálicas de la herramienta. Estos productos químicos pueden debilitar los materiales plásticos utilizados en estas piezas. Utilice un paño humedecido sólo con agua y jabón neutro. Nunca permita que penetre líquido dentro de la herramienta ni sumerja ninguna de las piezas en un líquido.

**⚠ ADVERTENCIA:** No use agua a presión para limpiar su máquina. Esto puede dañar partes de la máquina.

### Accesorios

**⚠ ADVERTENCIA:** Debido a que no se han probado con este producto otros accesorios que no sean los que ofrece DEWALT, el uso de dichos accesorios con

esta herramienta podría ser peligroso. Para reducir el riesgo de lesiones, con este producto deben usarse sólo los accesorios recomendados por DEWALT.



**ADVERTENCIA:** Los accesorios deben estar clasificados por lo menos para la velocidad recomendada en la etiqueta de advertencia de la herramienta. Si funcionan a velocidades superiores a la prevista, los discos y otros accesorios pueden deshacerse y provocar lesiones. Las clasificaciones de los accesorios deben estar siempre por encima de la velocidad de la herramienta, como se muestra en la placa nominal de la herramienta.



**ADVERTENCIA:** Manipule y almacene todos los discos abrasivos con cuidado para evitar daños producidos por choque térmico, calor, daño mecánico, etc. Guárdelos en un lugar seco y protegido donde no haya un nivel elevado de humedad, temperaturas de congelación o cambios de temperatura extremos.

Los accesorios que se recomiendan para utilizar con la herramienta están disponibles a un costo adicional en su distribuidor local o en un centro de mantenimiento autorizado. Si necesita ayuda para localizar algún accesorio, póngase en contacto con DEWALT Industrial Tool Co., 701 East Joppa Road, Towson, MD 21286, llame al 1-800-4-DEWALT (1-800-433-9258) o visite nuestro sitio web: [www.dewalt.com](http://www.dewalt.com).

## Reparaciones

El cargador y las unidades de batería no pueden ser reparados.



**ADVERTENCIA:** Para asegurar la SEGURIDAD y la CONFIABILIDAD del producto, las reparaciones, el mantenimiento y los ajustes (inclusive la inspección y el cambio de las escobillas, cuando proceda) deben ser realizados en un centro de mantenimiento en la fábrica DEWALT u en un centro de mantenimiento autorizado DEWALT. Utilice siempre piezas de repuesto idénticas.

**Para reparación y servicio de sus herramientas eléctricas, favor de dirigirse al Centro de Servicio más cercano**

### CULIACAN, SIN

Bldv. Emiliano Zapata 5400-1 Poniente Col. (667) 717 89 99 San Rafael

### GUADALAJARA, JAL

Av. La Paz #1779 - Col. Americana Sector (33) 3825 6978 Juárez

### MEXICO, D.F.

Eje Central Lázaro Cárdenas No. 18 - Local (55) 5588 9377 D, Col. Obrera

### MERIDA, YUC

Calle 63 #459-A - Col. Centro (999) 928 5038

### MONTERREY, N.L.

Av. Francisco I. Madero 831 Poniente - Col. (818) 375 23 13 Centro

### PUEBLA, PUE

17 Norte #205 - Col. Centro (222) 246 3714

### QUERETARO, QRO

Av. San Roque 274 - Col. San Gregorio (442) 2 17 63 14

### SAN LUIS POTOSI, SLP

Av. Universidad 1525 - Col. San Luis (444) 814 2383

### TORREON, COAH

Bldv. Independencia, 96 Pte. - Col. Centro (871) 716 5265

### VERACRUZ, VER

Prolongación Díaz Mirón #4280 - Col. Remes (229) 921 7016

### VILLAHERMOSA, TAB

Constitución 516-A - Col. Centro (993) 312 5111

#### PARA OTRAS LOCALIDADES:

**Si se encuentra en México, por favor llame al (55) 5326 7100**

**Si se encuentra en U.S., por favor llame al 1-800-433-9258 (1-800 4-DEWALT)**

## Póliza de Garantía

IDENTIFICACIÓN DEL PRODUCTO:

Sello o firma del Distribuidor.

Nombre del producto: \_\_\_\_\_

Mod./Cat.: \_\_\_\_\_

Marca: \_\_\_\_\_

Núm. de serie: \_\_\_\_\_

(Datos para ser llenados por el distribuidor)

Fecha de compra y/o entrega del producto:

Nombre y domicilio del distribuidor donde se adquirió el producto:

Este producto está garantizado por un año a partir de la fecha de entrega, contra cualquier defecto en su funcionamiento, así como en materiales y mano de obra empleados para su fabricación. Nuestra garantía incluye la reparación o reposición del producto y/o componentes sin cargo alguno para el cliente, incluyendo mano de obra, así como los gastos de transportación razonablemente erogados derivados del cumplimiento de este certificado.

Para hacer efectiva esta garantía deberá presentar su herramienta y esta póliza sellada por el establecimiento comercial donde se adquirió el producto, de no contar con ésta, bastará la factura de compra.

## Excepciones

Esta garantía no será válida en los siguientes casos:

- Cuando el producto se hubiese utilizado en condiciones distintas a las normales;
- Cuando el producto no hubiese sido operado de acuerdo con el instructivo de uso que se acompaña;

## ESPAÑOL

- Cuando el producto hubiese sido alterado o reparado por personas distintas a las enlistadas al final de este certificado.

Anexo encontrará una relación de sucursales de servicio de fábrica, centros de servicio autorizados y franquiciados en la República Mexicana, donde podrá hacer efectiva su garantía y adquirir partes, refacciones y accesorios originales.

## Registro en línea

Gracias por su compra. Registre su producto ahora para:

- **SERVICIO EN GARANTÍA:** Si completa esta tarjeta, podrá obtener un servicio en garantía más eficiente, en caso de que exista un problema con su producto.
- **CONFIRMACIÓN DE PROPIEDAD:** En caso de una pérdida que cubra el seguro, como un incendio, una inundación o un robo, el registro de propiedad servirá como comprobante de compra.
- **PARA SU SEGURIDAD:** Si registra el producto, podremos comunicarnos con usted en el caso improbable que se deba enviar una notificación de seguridad conforme a la Federal Consumer Safety Act (Ley Federal de Seguridad de Productos para el Consumidor).

Registro en línea en [www.dewalt.com/register](http://www.dewalt.com/register).

## Garantía limitada por tres años

DeWALT reparará, sin cargo, cualquier falla que surja de defectos en el material o la fabricación del producto, por hasta tres años a contar de la fecha de compra. Esta garantía no cubre fallas de las piezas causadas por su desgaste normal o abuso a la herramienta. Para mayores detalles sobre la cobertura de la garantía e información acerca de reparaciones realizadas bajo garantía, visítenos en [www.dewalt.com](http://www.dewalt.com) o diríjase al centro de servicio más cercano. Esta garantía no aplica a accesorios o a daños causados por reparaciones realizadas o intentadas por terceros. ESTA GARANTÍA LIMITADA SE OTORGA EN VEZ DE TODAS LAS DEMÁS, INCLUIDA LA GARANTÍA IMPLÍCITA DE COMERCIALIZACIÓN Y APTITUD PARA UN FIN PARTICULAR, Y EXCLUYE TODOS LOS DAÑOS INCIDENTALES O CONSECUENTES. Algunos estados no permiten limitaciones sobre la duración de una garantía implícita, o la exclusión o limitación de daños incidentales o consecuentes, así que estas limitaciones pueden no aplicarse a usted. Esta garantía le otorga derechos legales específicos, además de los cuales usted puede tener otros derechos dependiendo del estado o la provincia en que se encuentre.

Además de la garantía, las herramientas DeWALT están cubiertas por:

### 1 AÑO DE SERVICIO GRATUITO

DeWALT mantendrá la herramienta y reemplazará las piezas gastadas por su uso normal, sin cobro, en cualquier momento durante un año a contar de la fecha de compra.

### 2 AÑOS DE SERVICIO GRATUITO PARA UNIDADES DE ALIMENTACIÓN DEWALT

DC9071, DC9091, DC9096, DC9182, DC9280, DC9360, DCB120, DCB127, DCB201, DCB203, DCB203BT, DCB207, DCB361

### 3 AÑOS DE SERVICIO GRATUITO PARA UNIDADES DE ALIMENTACIÓN DEWALT

DCB200, DCB204, DCB204BT, DCB205, DCB205BT, DCB206, DCB606, DCB609

**NOTA:** La garantía del producto quedará nula si la unidad de batería ha sido alterada de cualquier manera. DeWALT no es responsable de ninguna lesión causada por alteraciones y podría iniciar un procedimiento judicial por fraude de garantía hasta el máximo grado permisible por la ley.

### GARANTÍA DE REEMBOLSO DE SU DINERO POR 90 DÍAS

Si no está completamente satisfecho con el desempeño de su máquina herramienta, láser o clavadora DeWALT, cualquiera sea el motivo, podrá devolverlo hasta 90 días de la fecha de compra con su recibo y obtener el reembolso completo de su dinero – sin necesidad de responder a ninguna pregunta.

**AMÉRICA LATINA:** Esta garantía no se aplica a los productos que se venden en América Latina. Para los productos que se venden en América Latina, debe consultar la información de la garantía específica del país que viene en el empaque, llamar a la compañía local o visitar el sitio Web a fin de obtener esa información.

**REEMPLAZO GRATUITO DE LAS ETIQUETAS DE ADVERTENCIAS:** Si sus etiquetas de advertencia se vuelven ilegibles o faltan, llame al 1-800-433-9258 (1-800-4-DEWALT) para que se le reemplacen gratuitamente.

## ESPECIFICACIONES

DCS690                      54 V Máx\*                      6600 rpm

Solamente para propósito de México:

Importado por: DeWALT Industrial Tool Co. S.A. de C.V.

Avenida Antonio Dovali Jaime, # 70 Torre B Piso 9

Colonia La Fe, Santa Fé

Código Postal : 01210

Delegación Alvaro Obregón

México D.F.

Tel. (52) 555-326-7100

R.F.C.: BDE810626-1W7

## SOLUCIÓN DE PROBLEMAS

### ASEGÚRESE DE SEGUIR LAS REGLAS DE SEGURIDAD E INSTRUCCIONES

Para ayuda con su producto, visite nuestra página de Internet en [www.dewalt.com](http://www.dewalt.com) para una lista de centros de servicio, o llame a DeWALT al 1-800-4-DeWALT (1-800-433-9258).

PROBLEMA	CAUSA POSIBLE	SOLUCIÓN
La máquina no arranca.	Paquete de batería no instalado adecuadamente.	Revise la instalación del paquete de batería.
	El paquete de batería no está cargado.	Revise los requerimientos de carga del paquete de batería.
	Batería demasiado caliente/fría.	Permita que la batería se enfríe o caliente.
	Los componentes internos están demasiado calientes.	Permita que la máquina se enfríe.
La máquina se apaga abruptamente.	El paquete de batería alcanzó su límite térmico máximo.	Permita que el paquete de batería se enfríe.
	Sin carga. <b>(Para maximizar la vida del paquete de la batería, está diseñado para apagarse abruptamente cuando se termine la carga.)</b>	Coloque en el cargador y permita que cargue.
Tiempo de operación reducido.	La batería no está cargada completamente. Se terminó la vida de la batería.	Cargue la batería. Reemplace con una nueva batería DeWALT FLEXVOLT™.
El paquete de batería no carga.	El paquete de batería no está insertado en el cargador.	Inserte el paquete de batería en el cargador hasta que el LED se ilumine.
	El cargador no está conectado.	Conecte el cargador en un tomacorriente que funcione. Consulte <b>Notas importantes sobre la carga</b> respecto a más detalles.
	Temperatura de aire ambiente demasiado caliente o demasiado fría.	Mueva el cargador y el paquete de batería a una temperatura ambiente de aproximadamente 18 °C– 24 °C (65 °F– 75 °F).
Bordes deshilachados o rasgaduras en la rueda de corte.	La rueda de corte se tambalea.	Reemplace con una nueva rueda de corte.
	La rueda de corte es roma.	Reemplace con una nueva rueda de corte.
	Bordes acumulados en la rueda de corte.	Recubra la rueda de corte cortando brevemente material abrasivo.
La rueda de corte se desvía de la línea de corte.	La rueda de corte se tambalea.	Reemplace con una nueva rueda de corte.
	La rueda de corte es roma.	Reemplace con una nueva rueda de corte.
	La rueda de corte no está instalada correctamente.	Instale la rueda de corte correctamente. Consulte <b>Instalación de ruedas abrasivas y de diamante</b> .
Desgaste en el lado de la rueda de corte.	Rectificado superficial.	No rectifique la superficie con la rueda de corte.
Desempeño de corte reducido o nulo.	La rueda de corte es roma.	Reemplace con una nueva rueda de corte.
	Bordes acumulados en la rueda de corte para piedra.	Recubra la rueda de corte para piedra cortando brevemente material abrasivo. Use una nueva rueda de corte para cortar asfalto.
	La rueda de corte no está instalada correctamente.	Instale la rueda de corte correctamente. Consulte <b>Instalación de ruedas abrasivas y de diamante</b> .
	Material de corte para el que la rueda de corte no está clasificada.	Use la rueda de corte adecuada.
Astillado o agrietamiento en el núcleo de la rueda.	Sobrecarga.	Reemplace con una nueva rueda de corte.
Producción de chispas.	Bordes acumulados en la rueda de corte para piedra.	Recubra la rueda de corte para piedra cortando brevemente material abrasivo. Use una nueva rueda de corte para cortar asfalto.
LED de indicador de carga pesada iluminado.	Demasiada fuerza sobre la herramienta.	Reduzca la fuerza.









## DEWALT BATTERY AND CHARGER SYSTEMS

### Chargers/Charge Time (Minutes) . Chargeurs/Durée de charge (Minutes) . Cargadores de baterías/Tiempo de carga (Minutos)

Battery Cat #	Output Voltage	Amp Hour	120 Volts														12 Volts		
			DC9000	DC9310	DC9320	DC8095	DC8102	DC8103	DC8107	DC8112	DC8113	DC8114	DC8115	DC8116	DC8118	DC8132	DC8119	DW0249	DC8412
DCB609	20/60	3.0/9.0	X	X	X	X	135	135	432	270	230	X	135	X	75	270	X	X	X
DCB606	20/60	2.0/6.0	X	X	X	X	100	100	272	170	140	X	90	X	60	90	X	X	X
DCB404	40	4.0	X	X	X	X	X	X	X	X	X	90	X	30	X	X	X	X	130
DCB406	40	6.0	X	X	X	X	X	X	X	X	X	130	X	45	X	X	X	X	190
DCB407	40	7.5	X	X	X	X	X	X	X	X	X	170	X	60	X	X	X	X	235
DC9360	36	2.0	45	X	X	X	X	X	X	X	X	X	X	X	X	X	X	X	X
DCB361	36	2.0	45	X	X	X	X	X	X	X	X	X	X	X	X	X	X	X	X
DC9280	28	2.4	60	X	X	X	X	X	X	X	X	X	X	X	X	X	X	X	X
DW0242	24	2.4	X	X	X	X	X	X	X	X	X	X	X	X	X	X	X	60	X
DCB200	20	3.0	X	X	X	X	60	60	140	90	67	X	45	X	45/30**	45	90	X	X
DCB201	20	1.5	X	X	X	X	30	30	70	45	35	X	22	X	22	22	45	X	X
DCB203	20	2.0	X	X	X	X	35	35	90	60	45	X	30	X	30	30	60	X	X
DCB203BT*	20	2.0	X	X	X	X	35	35	90	60	45	X	30	X	30	30	60	X	X
DCB204	20	4.0	X	X	X	X	70	70	185	120	90	X	60	X	60/40**	60	120	X	X
DCB204BT*	20	4.0	X	X	X	X	70	70	185	120	90	X	60	X	60	60	120	X	X
DCB205	20	5.0	X	X	X	X	95	95	240	150	112	X	75	X	75/47**	75	150	X	X
DCB206	20	6.0	X	X	X	X	100	100	272	170	140	X	90	X	60	90	X	X	X
DCB207	20	1.3	X	X	X	X	30	30	60	40	30	X	22	X	22	22	X	X	X
DC9182	18	2.0	X	40	40	X	X	40	X	X	X	X	X	X	X	X	X	40	X
DCB120	12	1.5	X	X	X	X	30	30	60	45	35	X	20	X	X	X	45	X	X
DCB127	12	2.0	X	X	X	X	35	35	90	60	50	X	30	X	X	X	60	X	X
DCB080	8	1.0	X	X	X	60	X	X	X	X	X	X	X	X	X	X	X	X	X

\*BT - Bluetooth® **NOTE:** The Bluetooth® word mark and logos are registered trademarks owned by the Bluetooth®, SIG, Inc. and any use of such marks by DEWALT is under license. Other trademarks and trade names are those of their respective owners.

\*\*Battery Datecode 201536 or later.

"X" Indicates that the battery pack is not compatible with that specific charger. All charge times are approximate. Actual charge time may vary. Read the instruction manual for more specific information.

"X" indique que le bloc-piles n'est pas compatible avec ce chargeur. Les durées de charge sont approximatives; la durée de charge réelle peut varier. Lire le manuel d'utilisation pour obtenir des renseignements plus précis.

Una "X" indica que el paquete de baterías no es compatible con ese determinado cargador. El tiempo de duración de carga es aproximado; la duración de carga real puede variar. Lea el manual de instrucciones para obtener información más precisa.

\* Maximum initial battery voltage (measured without a workload) is 20, 60 or 120 volts. Nominal voltage is 18, 54 or 108. (120V Max\* is based on using 2 DEWALT 60V Max\* lithium-ion batteries combined.)

\* La tension initiale maximum du bloc-piles (mesurée à vide) est de 20, 60 ou 120 volts. La tension nominale est de 18, 54 ou 108. (120 V max\* se base sur l'utilisation combinée de 2 blocs-piles au lithium ion DEWALT de 60 V max\*.)

\* El máximo voltaje inicial de la batería (medido sin carga de trabajo) es 20, 60 o 120 voltios. El voltaje nominal es de 18, 54 o 108. (120 V Máx\* se basan en el uso de 2 baterías de iones de litio DEWALT de 60 V Máx\* combinadas.)

DEWALT Industrial Tool Co., 701 East Joppa Road, Towson, MD 21286  
(FEB18) Part No. N530673 DCS690 Copyright © 2018 DEWALT

The following are trademarks for one or more DEWALT power tools: the yellow and black color scheme, the "D" shaped air intake grill, the array of pyramids on the handgrip, the kit box configuration, and the array of lozenge-shaped humps on the surface of the tool.